

CHASSIS SPEC

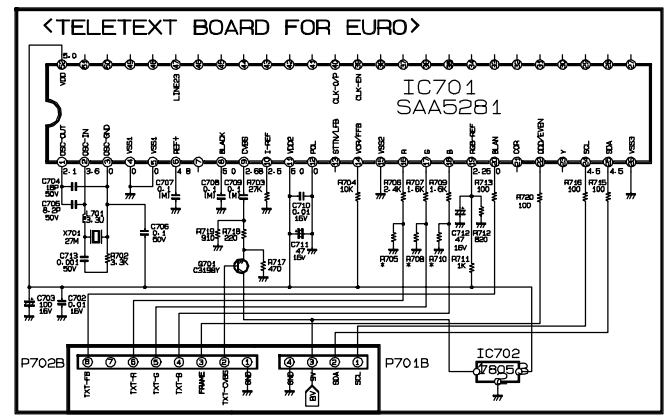
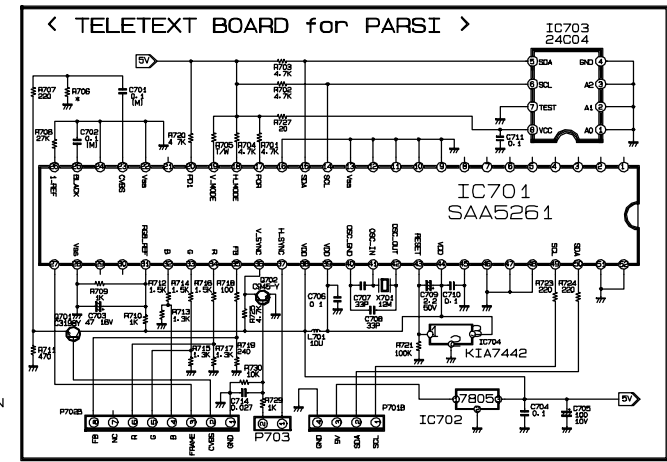
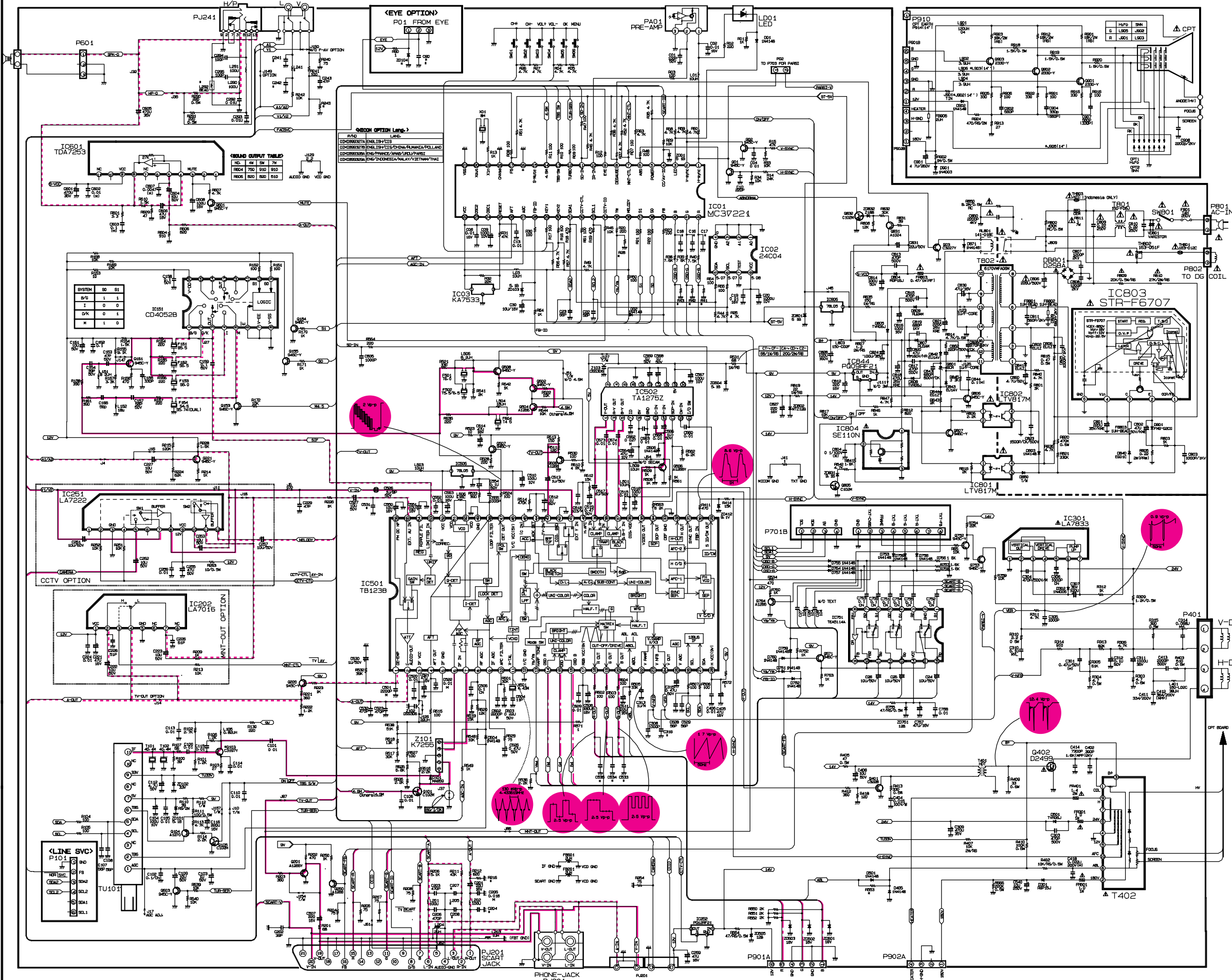
#FULL MULTI SYSTEM
#STAND-BY 3M
#VIDEO BOOSTER
#CCTV
#MC REO.
#EURO/PARSI TXT
#VIDEO SEPO1

MC994A CIRCUIT DIAGRAM

'99 SUPER-A PLATINUM PRODUCT DEVELOPMENT TEAM
PCB SIZE: 319*245
1999.06.26

P/No : 3854VA0057A-S(1/2)

Date : 1999.6.28



★ TABLE OF INCH CONVERSION

CIRCUIT NO.	INCH			REMARK
	2"	3"	4"	
IC804	SE115	SE115N	SE115N	
IC805	SE1-015C	SE1-015C	SE1-015C	
CA12	78L11-0.15A	78L11-0.15A	78L11-0.15A	
CA14	78L11-0.15A	78L11-0.15A	78L11-0.15A	
CB04	330P(N)	330P(N)	470P(N)	
CB02	800P(N)	800P(N)	330P(N)	
CB07	800P(N)	800P(N)	870P(N)	
PC00/PC05	330P(N) 1/4W	330P(N) 1/4W	330P(N) 1/4W	
PC04	RS/270/2M	RS/270/2M	RS/470/2M	
PC13	FD/28	FD/28	FD/28	
PC03/PC04	FD/1.5/0.5M	FD/1.7/0.5M	FD/1.5/0.5M	
PC05	FD/47/0.5M	FD/47/0.5M	FD/80/0.5M	
PC01	1.41180-002H	1.41180-002H	1.41180-002H	
CA02	181-081V	181-081V	181-081V	
CA10	FD/100K/0.5M	FD/100K/0.5M	FD/100K/0.5M	
PC09	1.2K/100/0.5M	5.6K/100/0.5M	5.6K/100/0.5M	
PC07	15K/100/0.5M	15K/100/0.5M	15K/100/0.5M	
PC11	4.7K	1.5K	1.5K	

