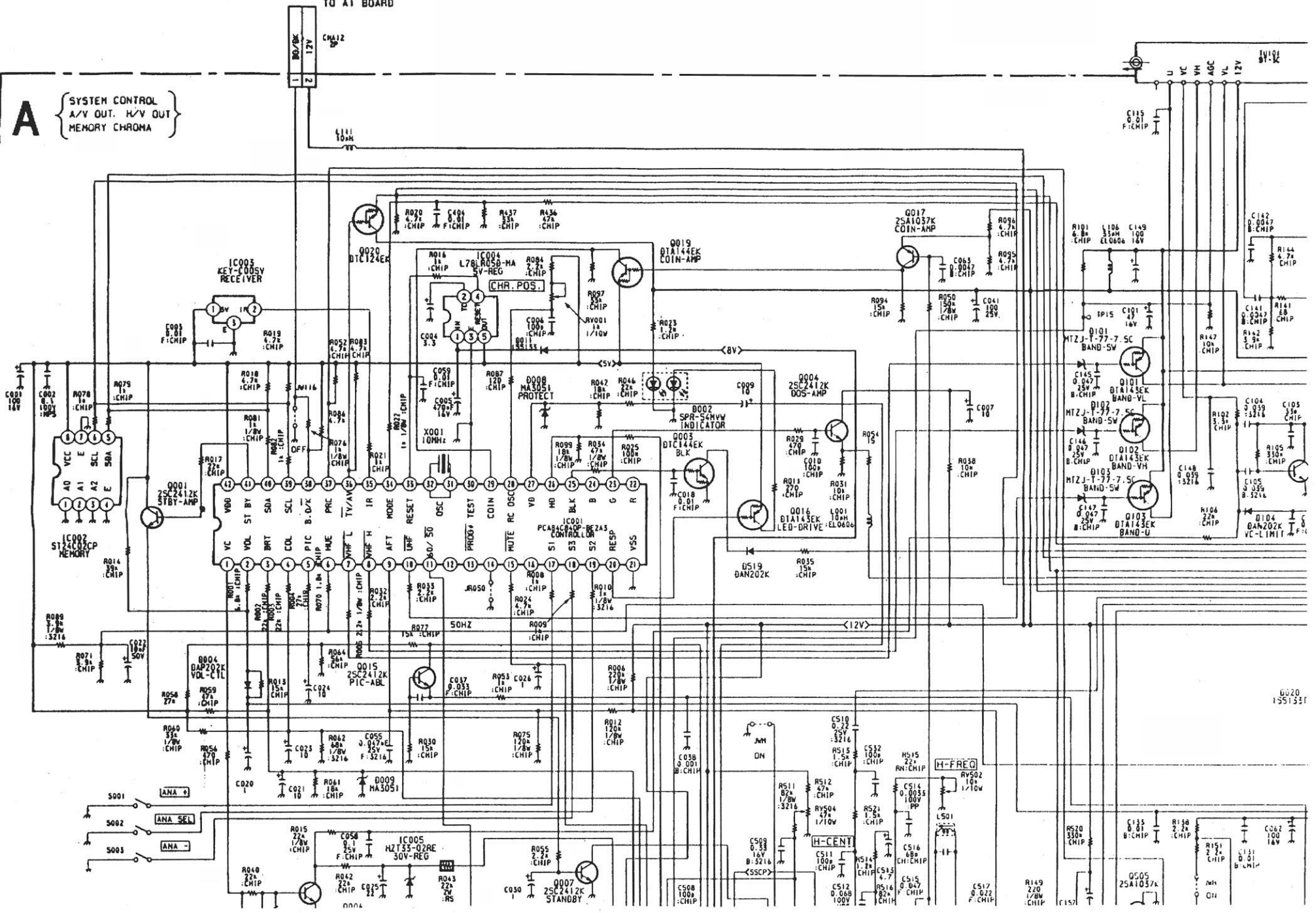


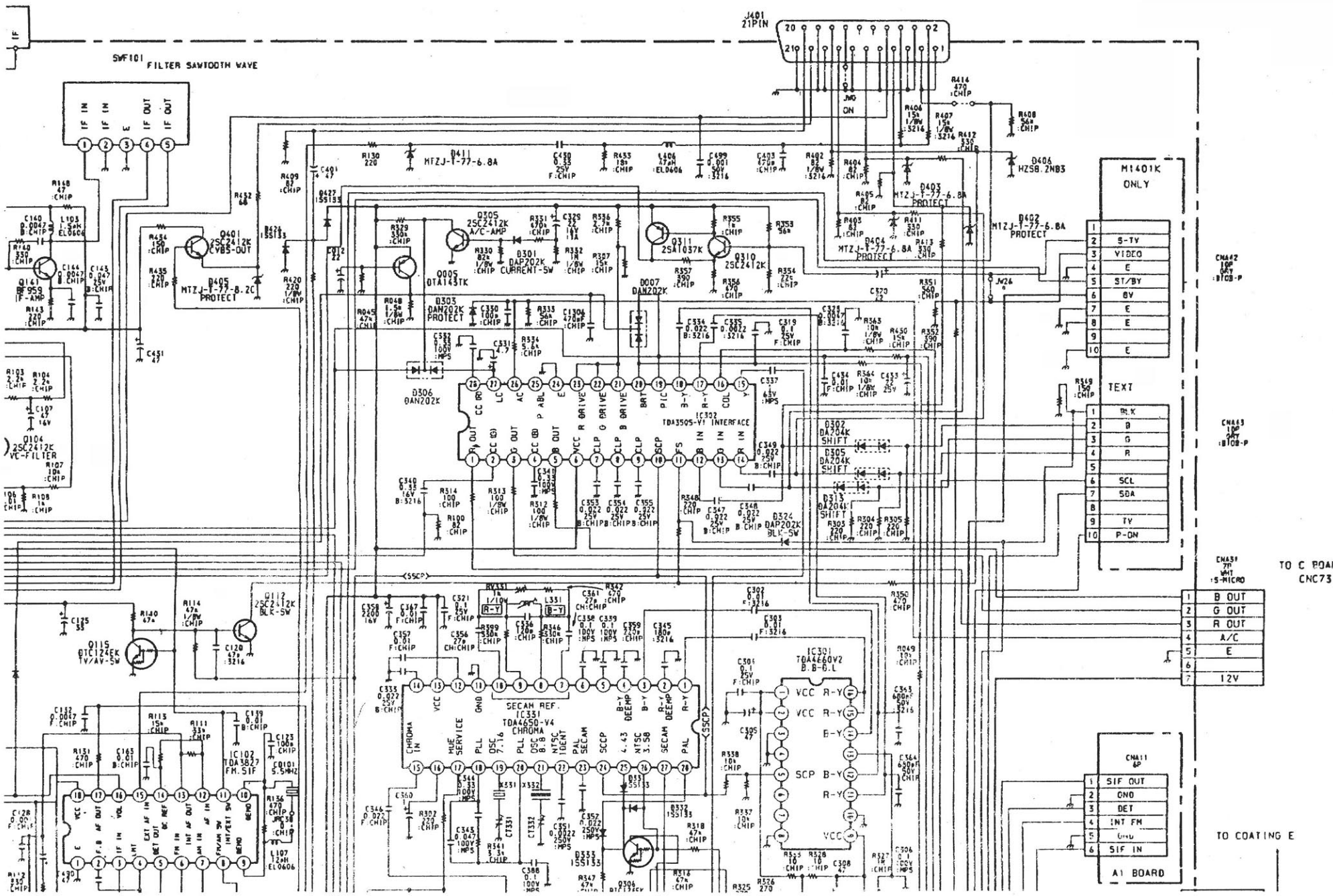


TO A1 BOARD

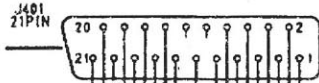
**A** { SYSTEM CONTROL  
A/V OUT. H/V OUT  
MEMORY CHROMA



0020  
1551351



SWF101 FILTER SAWTOOTH WAVE



M1401K ONLY

- 1
- 2 S-TV
- 3 VIDEO
- 4 E
- 5 ST/ BY
- 6 BV
- 7 E
- 8 E
- 9
- 10 E

CNA#2 10P OPT. BTOB-P

TEXT

- 1 BLK
- 2 B
- 3 G
- 4 R
- 5 SCL
- 6 SDA
- 7
- 8
- 9 TV
- 10 P-ON

CNA#3 10P OPT. BTOB-P

CNA#4 7P OPT. S-MICRO

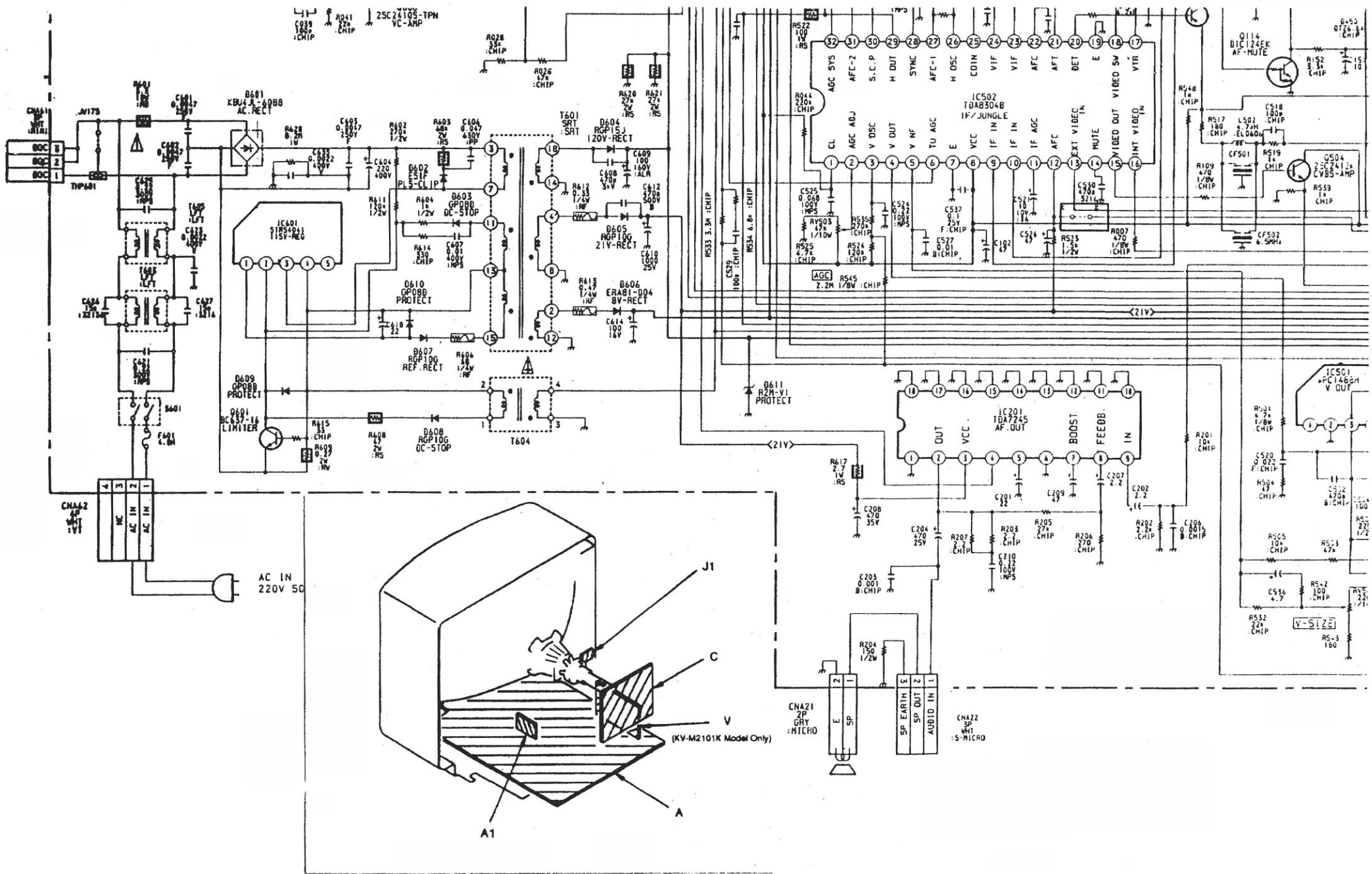
- 1 B OUT
- 2 G OUT
- 3 R OUT
- 4 A/C
- 5 E
- 6
- 7 12V

TO C BOARD CNC73

A1 BOARD

- 1 SIF OUT
- 2 GND
- 3 DET
- 4 INT FM
- 5 GND
- 6 SIF IN

TO COATING E

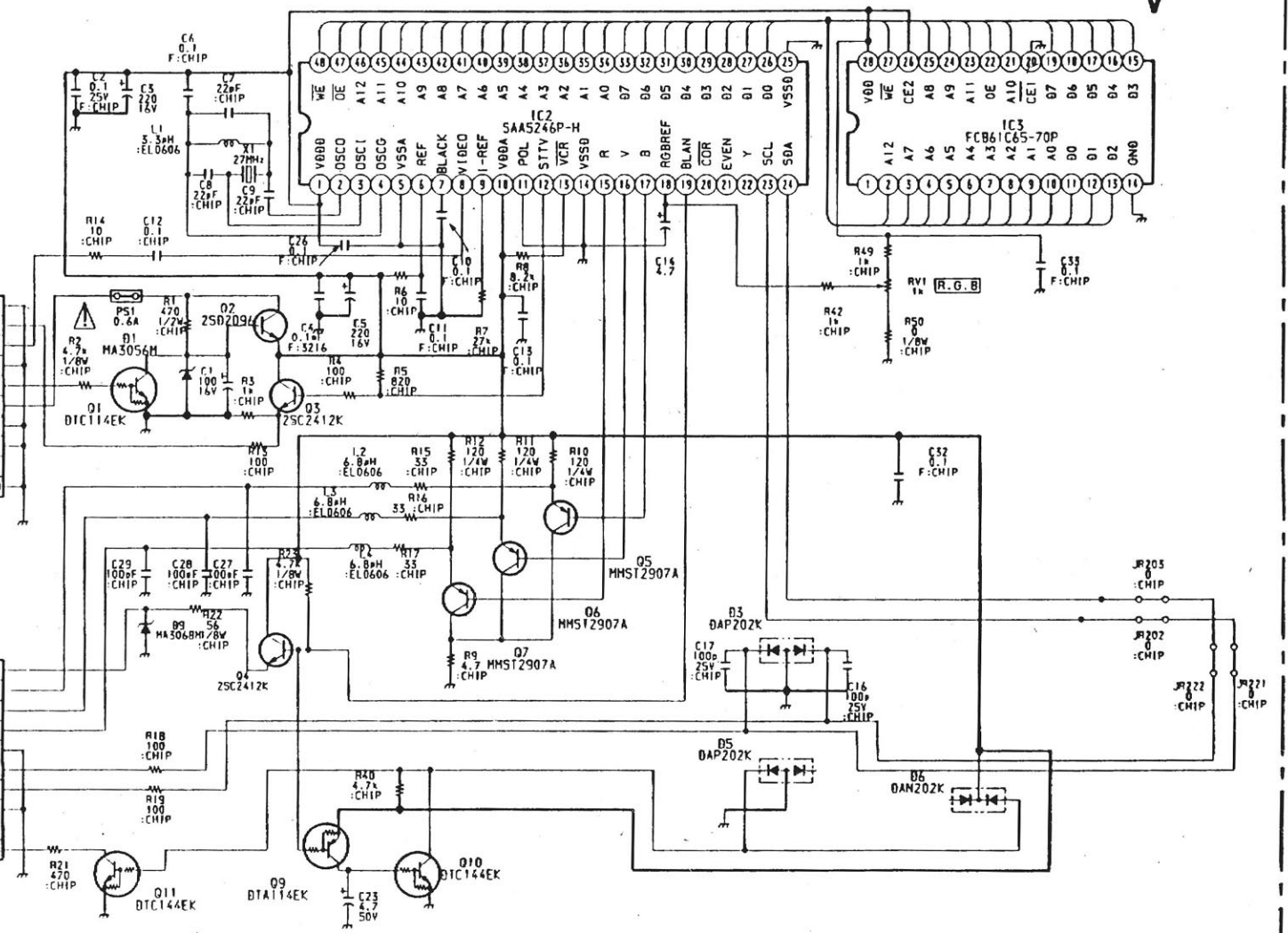
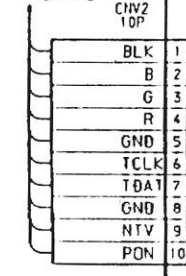
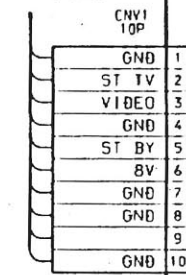


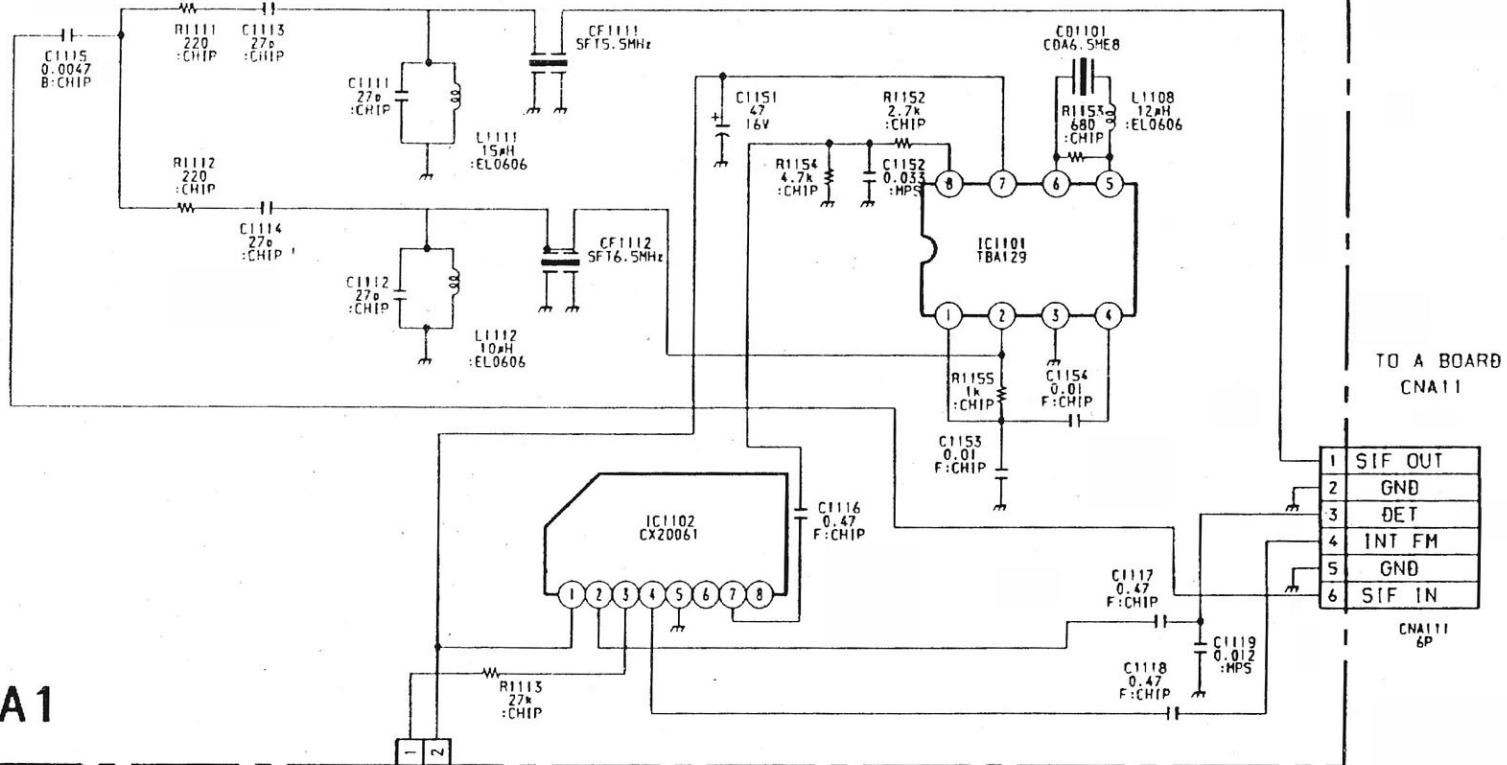




TO A BOARD  
CNA42

TO A BOARD  
CNA43





**A Board**

	M1400K	M1401K
* JW26	Not Fitted	Fitted

