

SONY



COMPUTER
ENTERTAINMENT

SCPH-7500 SERIES

SERVICE MANUAL

Japan Model
SCPH-7500

US/Canada Model
SCPH-7501

Australia Model
SCPH-7502A

UK Model
SCPH-7502B

AEP Model
SCPH-7502C

Asian Model
SCPH-7503

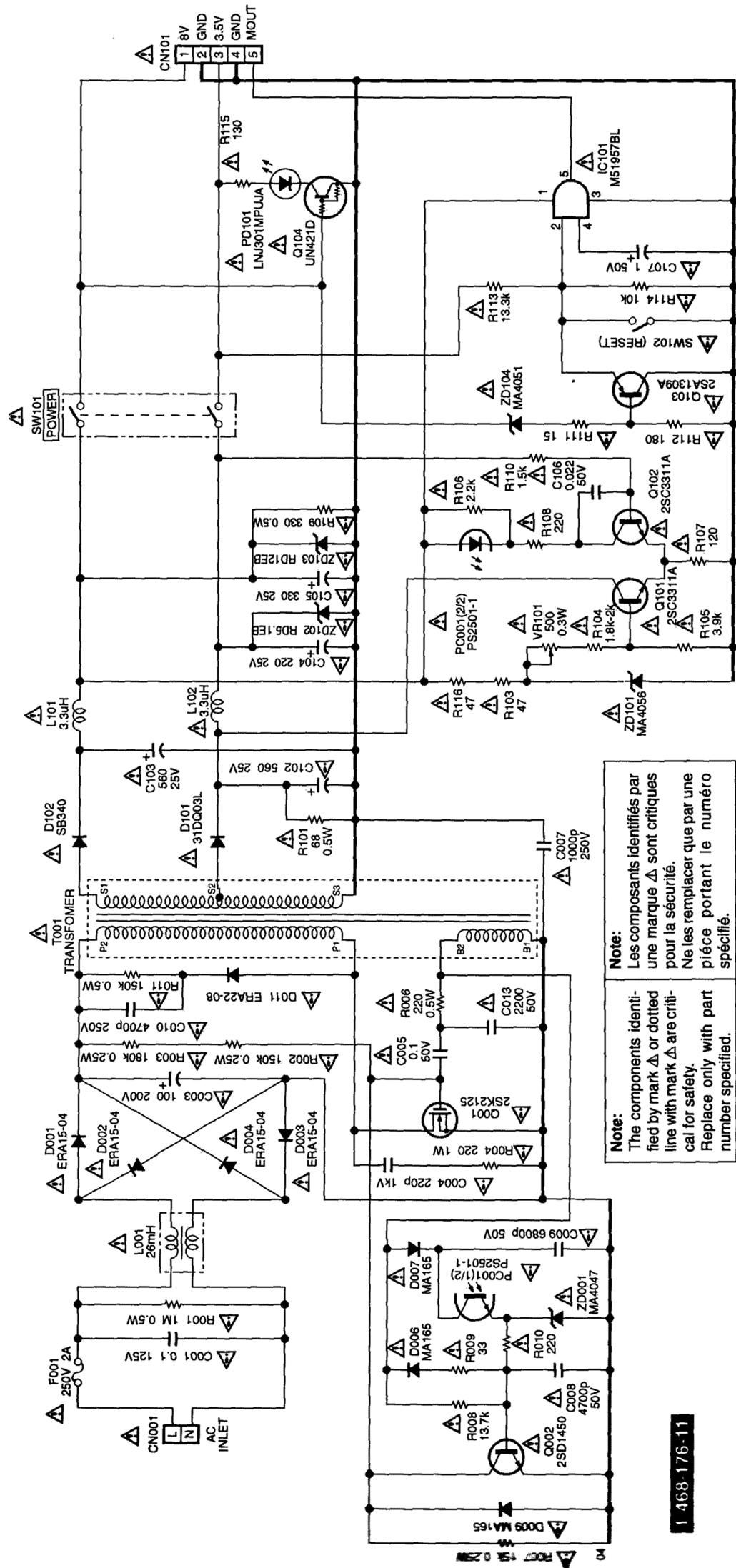
3rd Edition



Reproduction prohibited

Registered No.

PlayStation



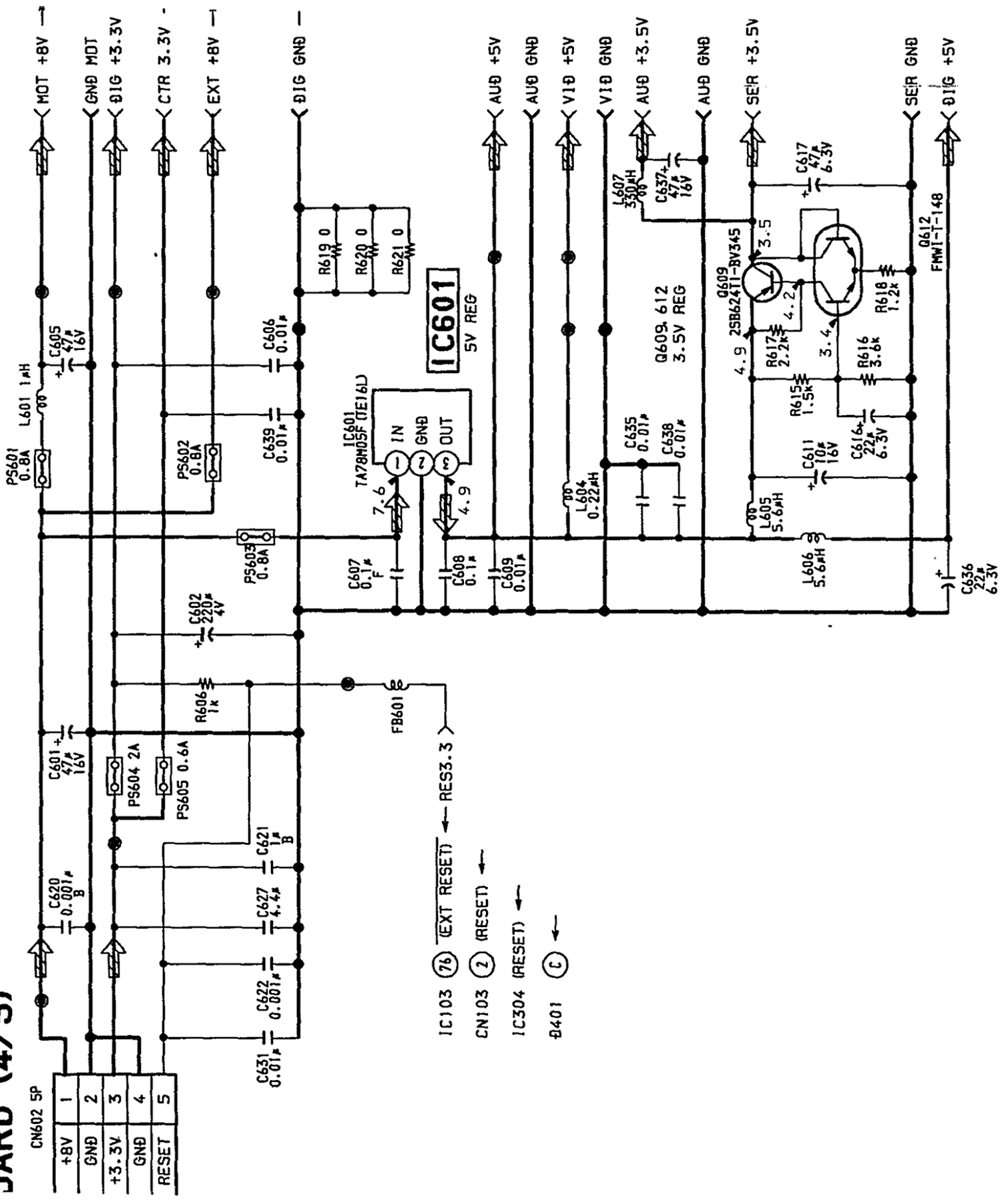
Note:
The components identified by mark Δ or dotted line with mark Δ are critical for safety. Replace only with part number specified.

Note:
Les composants identifiés par une marque Δ ou pointillés sont critiques pour la sécurité. Ne les remplacer que par une pièce portant le numéro spécifié.

1-468-176-11

6-9. PRINTED WIRING BOARD (POWER BLOCK (1-468-176-11))
POWER BLOCK (SCPH-7500)

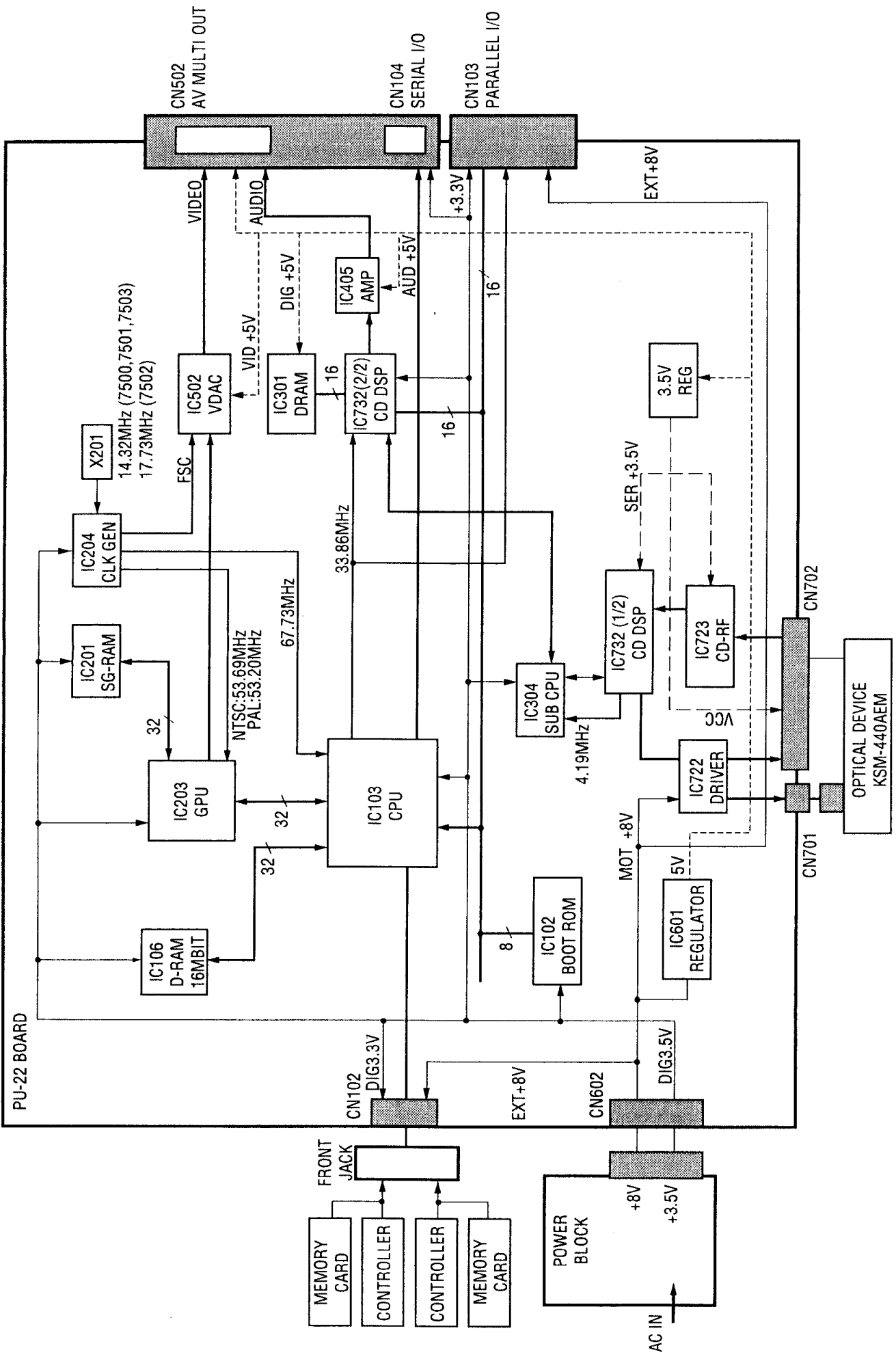
JARD (4/5)



- IC103 (76) (EXT RESET) ← RES3.3
- CN103 (2) (RESET) ←
- IC304 (RESET) ←
- B401 (C) ←

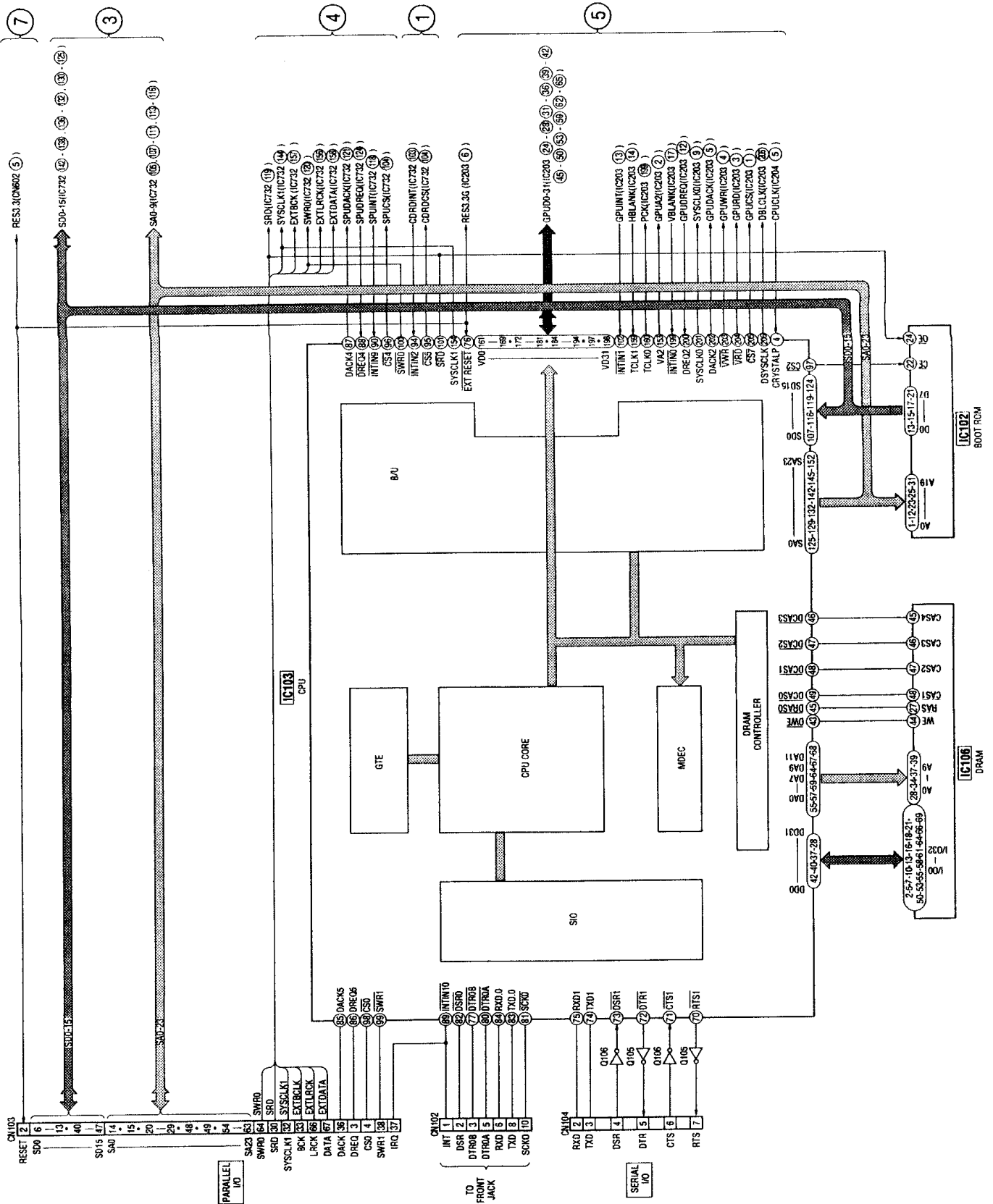
SECTION 5
BLOCK DIAGRAMS

5-1. OVERALL BLOCK DIAGRAM

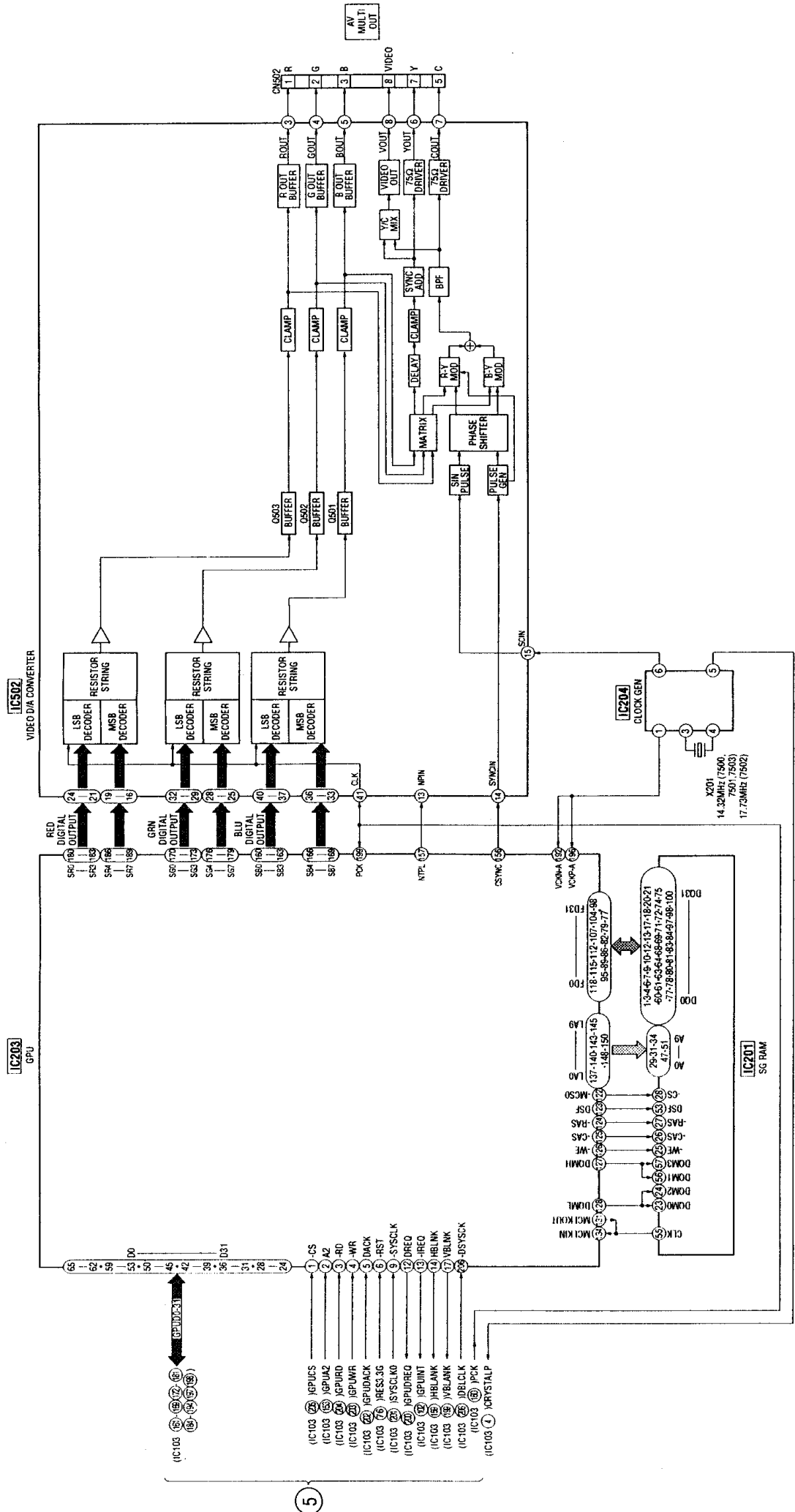


PU-22 BOARD

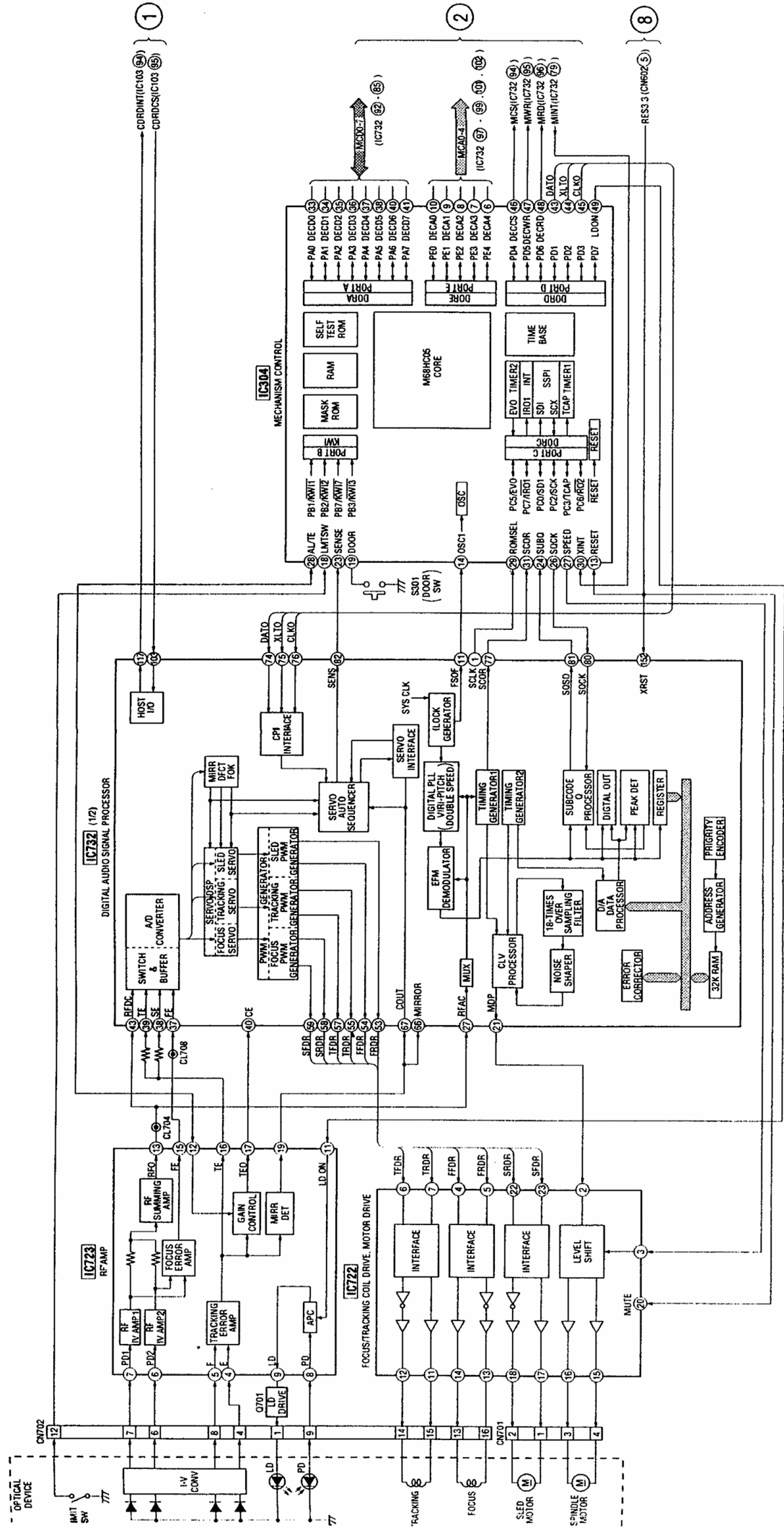
5-2. CPU BLOCK DIAGRAM



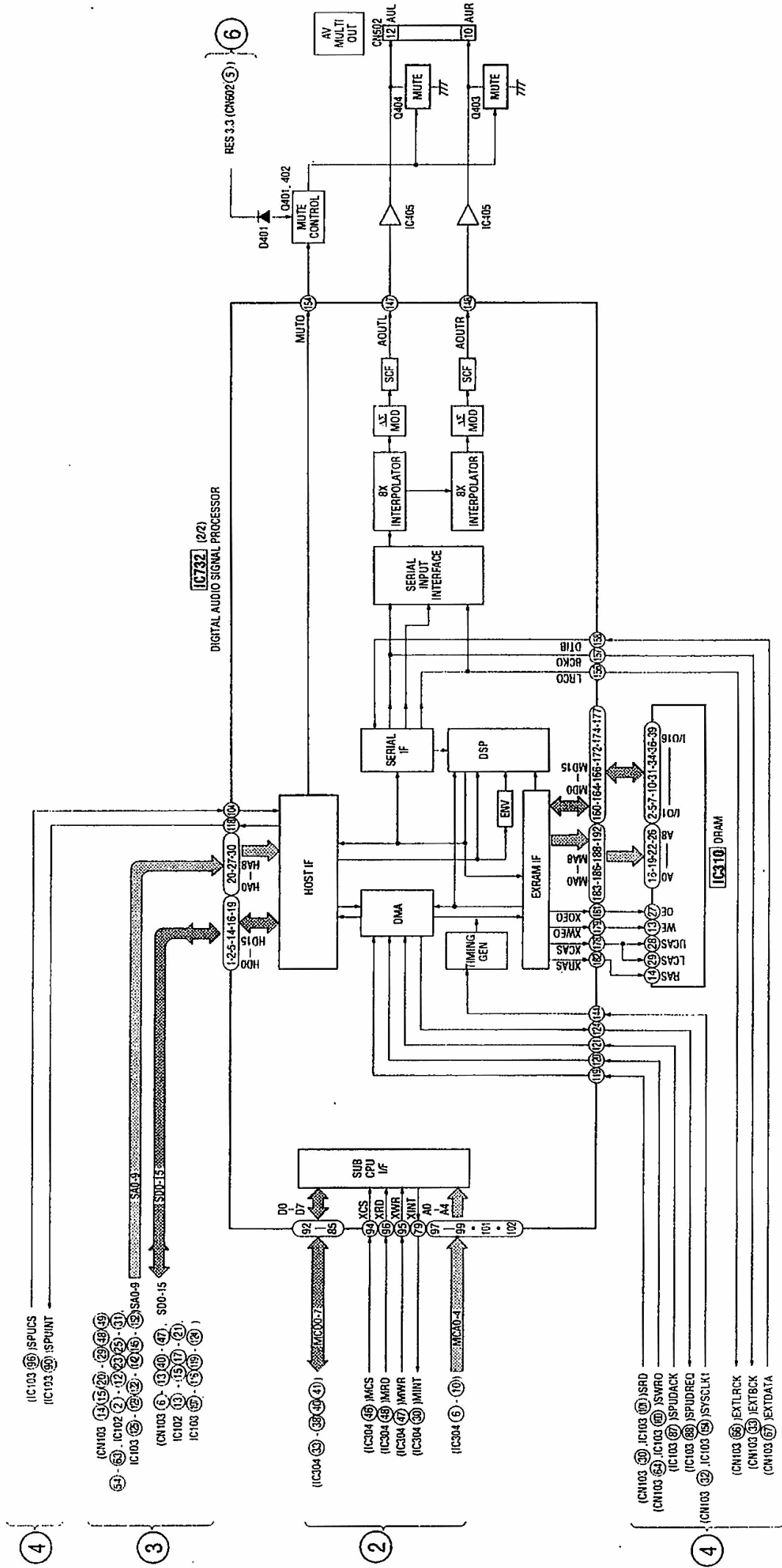
-3- VIDEO BLOCK DIAGRAM



5. SERVO BLOCK DIAGRAM



5-4. AUDIO BLOCK DIAGRAM



IC102

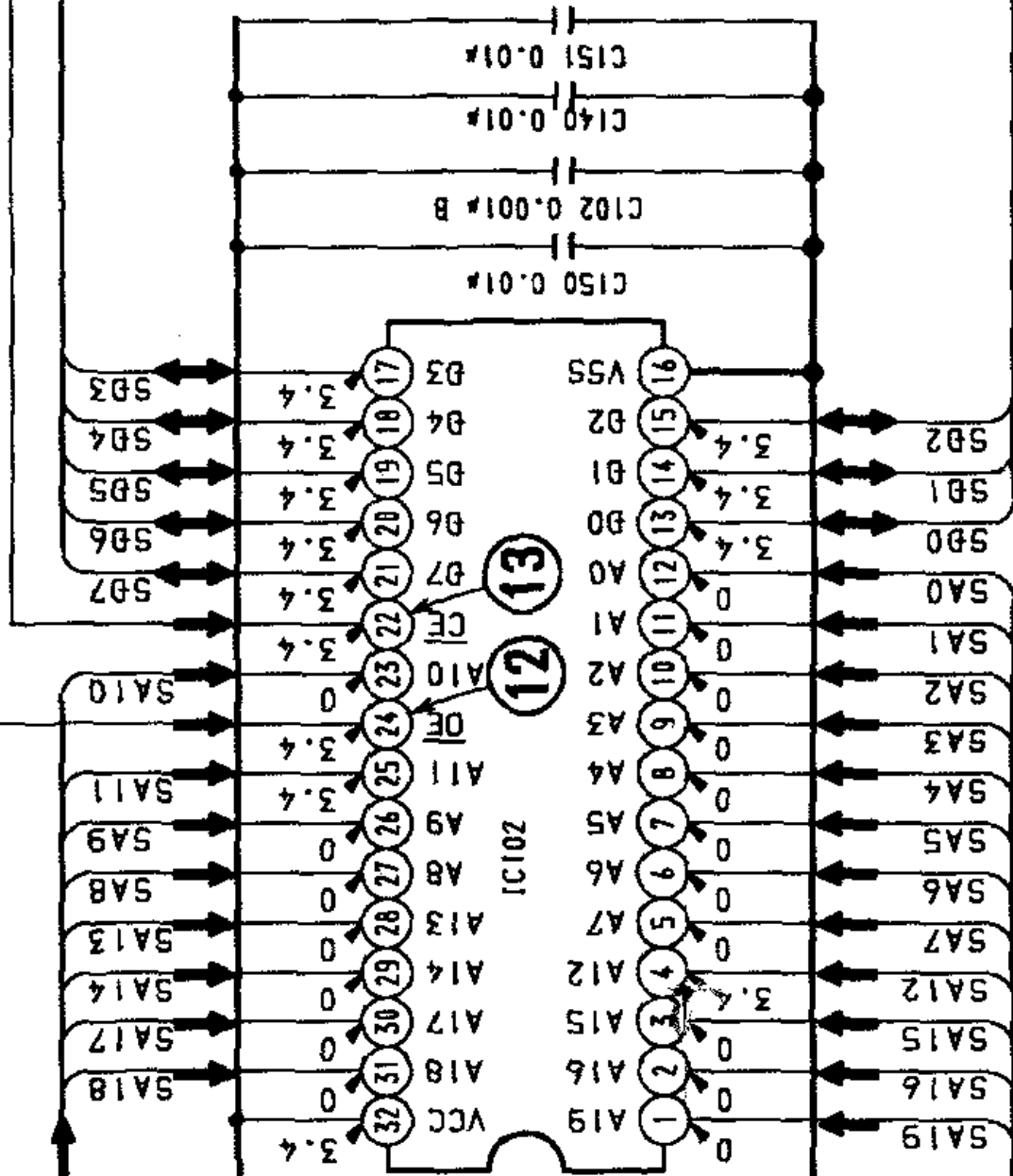
BOOT ROM

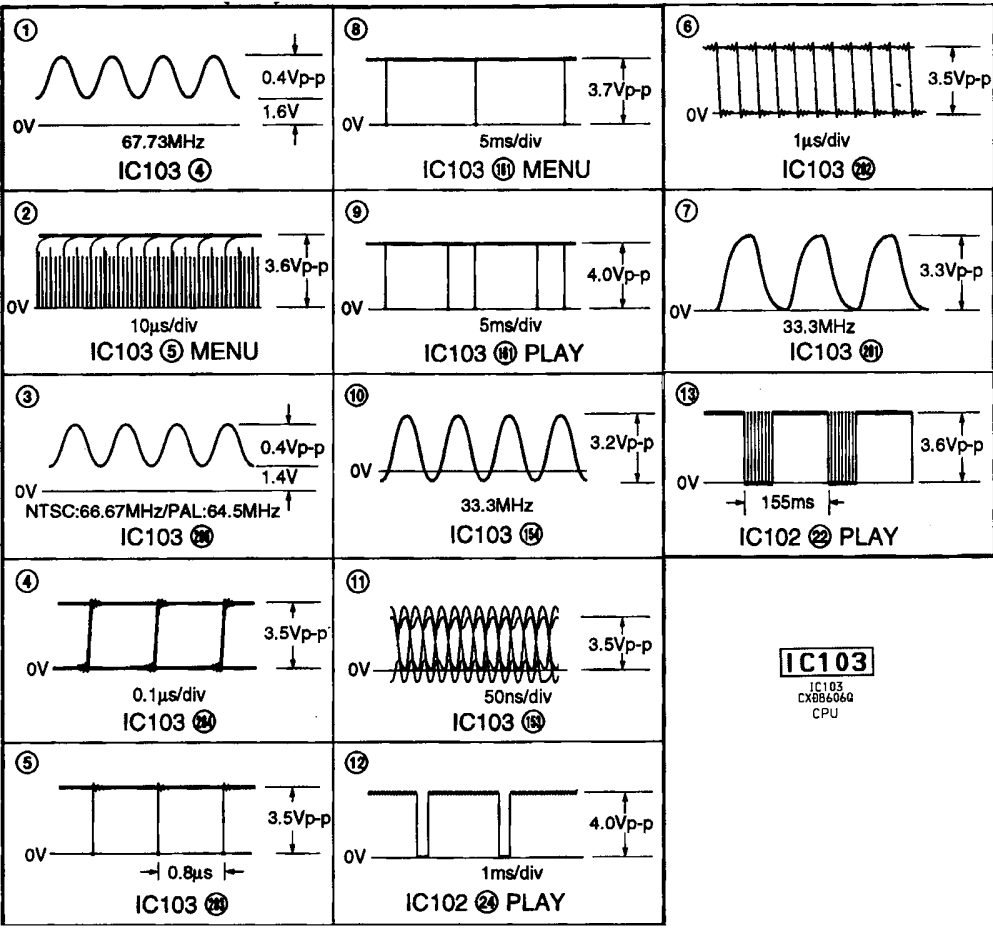
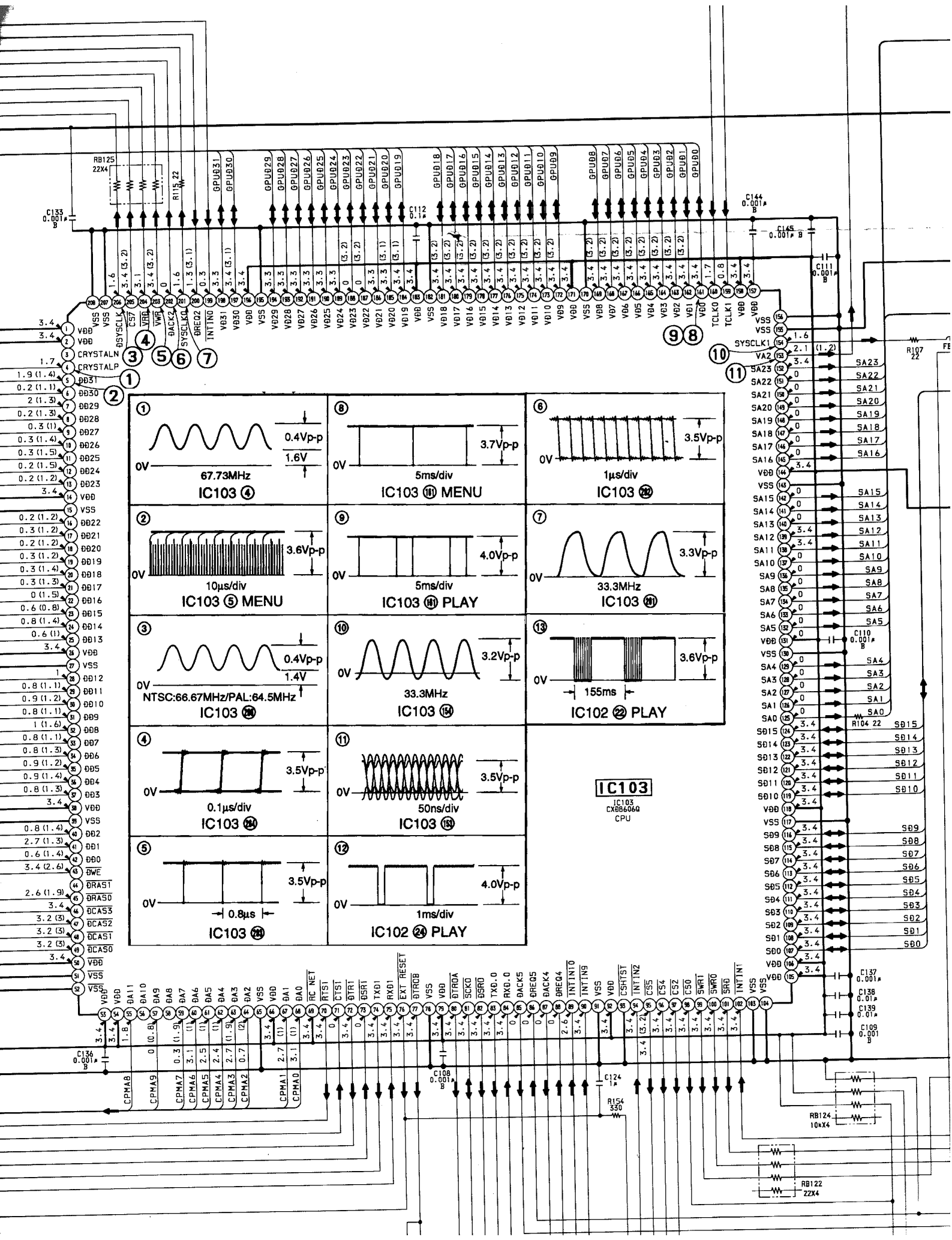
IC102

KM23V40008G-15-KF5314J-1T 07500

KM23V40008G-15-KF5316J-1T 07501, 7503D

MSM534031E-106S-KPR2 07502





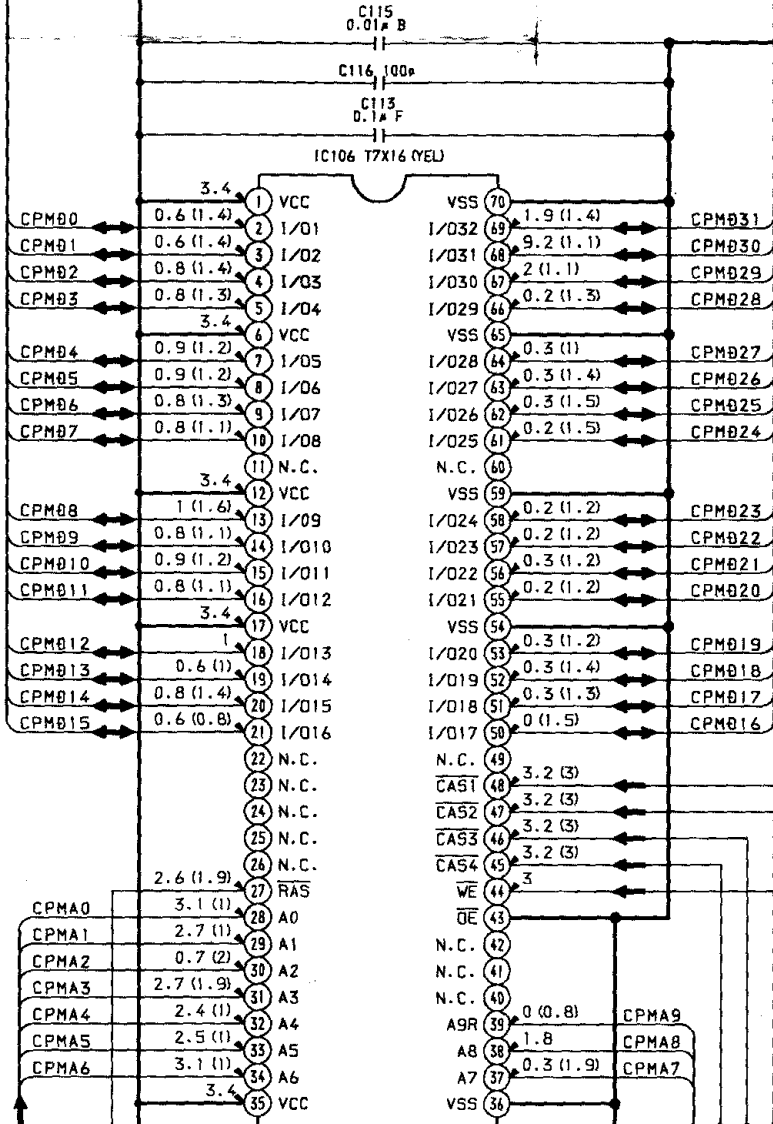
IC103
IC103
CX68606Q
CPU

IC203 (206) (-BSYSCK) ← BBLCLK

IC204 (5) → CPUCLK

- IC203 (45) (00) ↔ GPU00 ↔ GPU00
- IC203 (44) (01) ↔ GPU01 ↔ GPU01
- IC203 (43) (02) ↔ GPU02 ↔ GPU02
- IC203 (42) (03) ↔ GPU03 ↔ GPU03
- IC203 (59) (04) ↔ GPU04 ↔ GPU04
- IC203 (58) (05) ↔ GPU05 ↔ GPU05
- IC203 (57) (06) ↔ GPU06 ↔ GPU06
- IC203 (56) (07) ↔ GPU07 ↔ GPU07
- IC203 (55) (08) ↔ GPU08 ↔ GPU08
- IC203 (54) (09) ↔ GPU09 ↔ GPU09
- IC203 (53) (10) ↔ GPU10 ↔ GPU10
- IC203 (50) (11) ↔ GPU11 ↔ GPU11
- IC203 (49) (12) ↔ GPU12 ↔ GPU12
- IC203 (48) (13) ↔ GPU13 ↔ GPU13
- IC203 (47) (14) ↔ GPU14 ↔ GPU14
- IC203 (46) (15) ↔ GPU15 ↔ GPU15
- IC203 (45) (16) ↔ GPU16 ↔ GPU16
- IC203 (42) (17) ↔ GPU17 ↔ GPU17
- IC203 (41) (18) ↔ GPU18 ↔ GPU18
- IC203 (40) (19) ↔ GPU19 ↔ GPU19
- IC203 (39) (20) ↔ GPU20 ↔ GPU20
- IC203 (36) (21) ↔ GPU21 ↔ GPU21
- IC203 (35) (22) ↔ GPU22 ↔ GPU22
- IC203 (34) (23) ↔ GPU23 ↔ GPU23
- IC203 (33) (24) ↔ GPU24 ↔ GPU24
- IC203 (32) (25) ↔ GPU25 ↔ GPU25
- IC203 (31) (26) ↔ GPU26 ↔ GPU26
- IC203 (28) (27) ↔ GPU27 ↔ GPU27
- IC203 (27) (28) ↔ GPU28 ↔ GPU28
- IC203 (26) (29) ↔ GPU29 ↔ GPU29
- IC203 (25) (30) ↔ GPU30 ↔ GPU30
- IC203 (24) (31) ↔ GPU31 ↔ GPU31

IC203 (6) (-RST) ← RES3.3G



IC106
DRAM

C118 0.001µF B

C122 0.001µF B

C115 0.01µF B

C116 100p

C113 0.1µF

RB121 22X4

RB120 22X4

→ 016 +3.3V