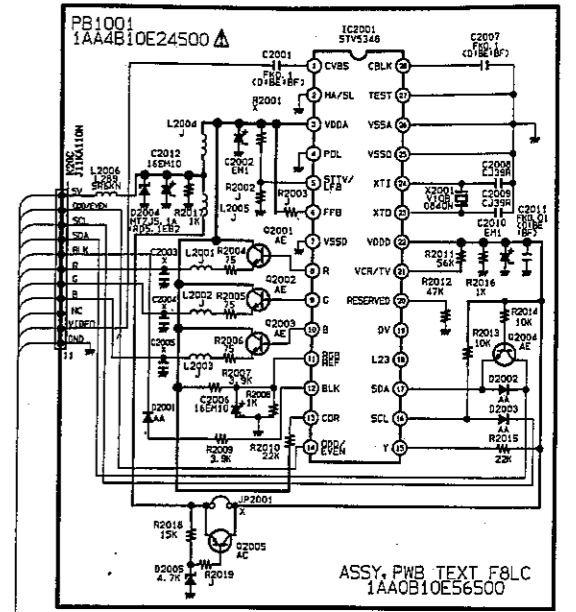
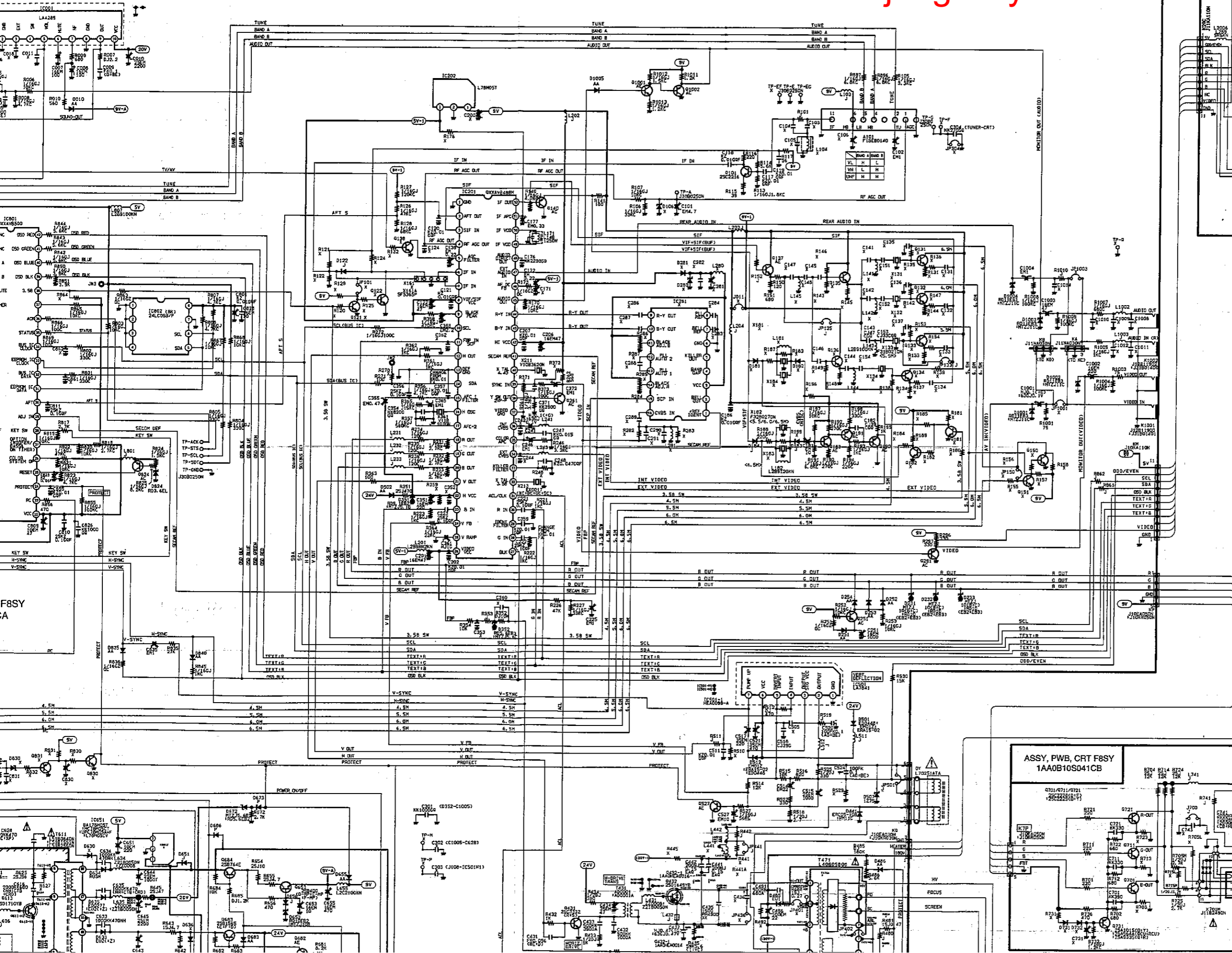


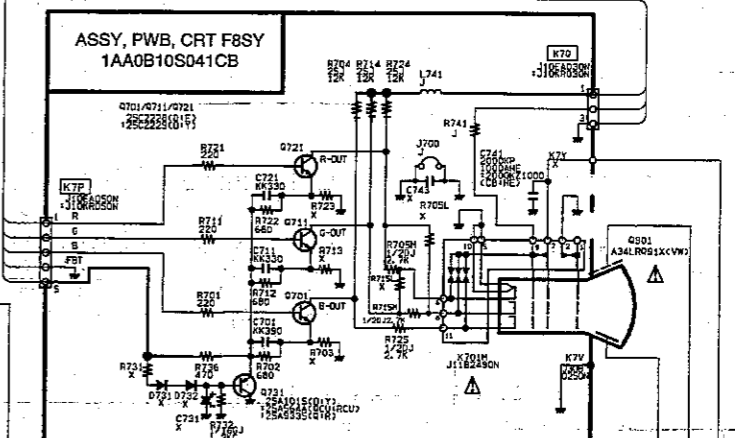
Kunjungi saya disini..

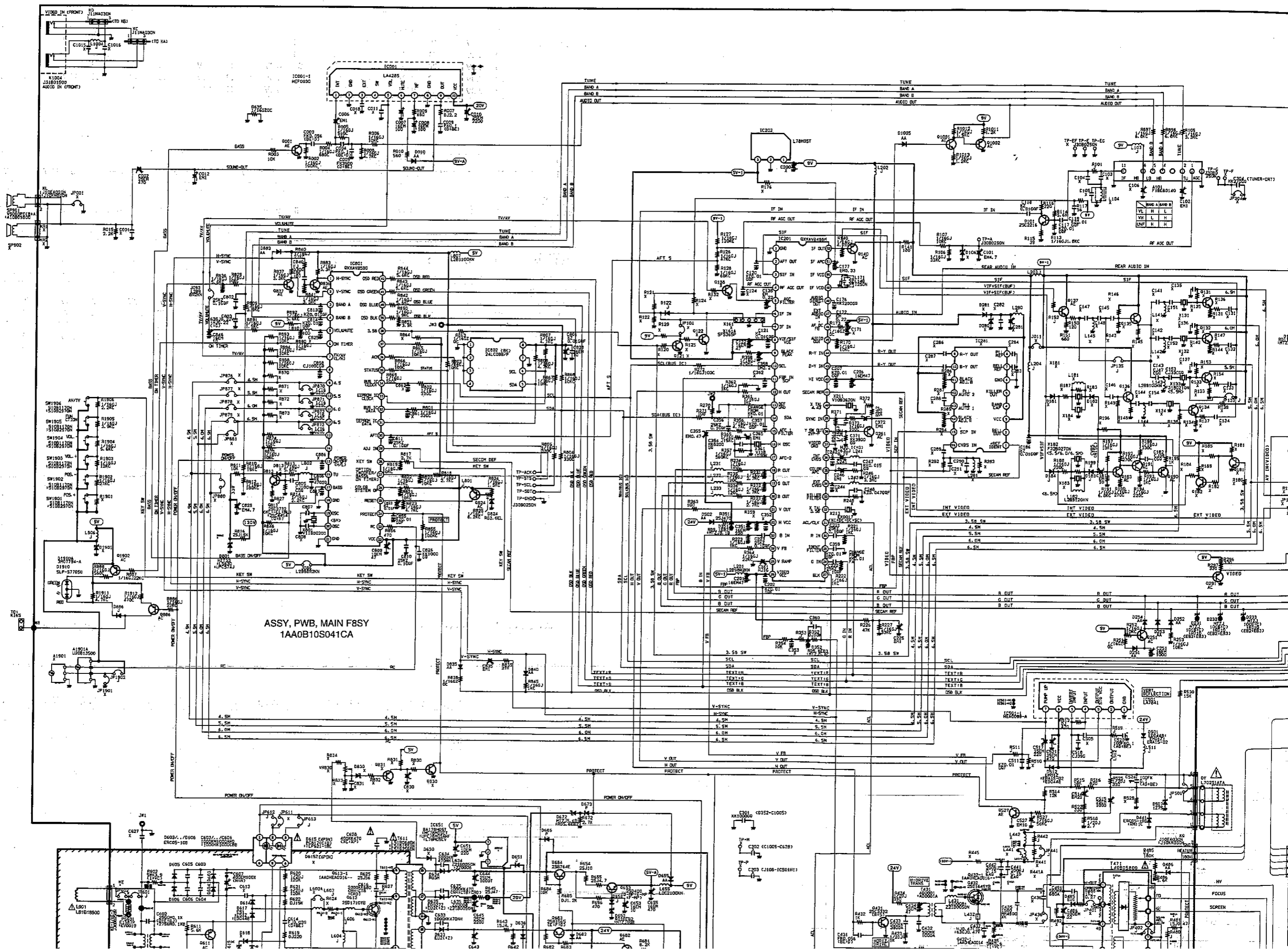
Note: Not installed ASSY, PWB, TEXT.



DIFFERENT PART LIST

LOCATION	MODEL	1AA0B10E24500	1AA0B10E24500
C482	16EM1000	X	
D201	AA	X	
D432	BS1	X	
J445	J	X	
J557	J	X	
J558	J	X	
J559	J	X	
J560	J	X	
J561	J	X	
J562	J	X	
J563	J	X	
J564	J	X	
J565	J	X	
J566	J	X	
J567	J	X	
J568	J	X	
J569	J	X	
J570	J	X	
J571	J	X	
J572	J	X	
J573	J	X	
J574	J	X	
J575	J	X	
J576	J	X	
J577	J	X	
J578	J	X	
J579	J	X	
J580	J	X	
J581	J	X	
J582	J	X	
J583	J	X	
J584	J	X	
J585	J	X	
J586	J	X	
J587	J	X	
J588	J	X	
J589	J	X	
J590	J	X	
J591	J	X	
J592	J	X	
J593	J	X	
J594	J	X	
J595	J	X	
J596	J	X	
J597	J	X	
J598	J	X	
J599	J	X	
J600	J	X	
J601	J	X	
J602	J	X	
J603	J	X	
J604	J	X	
J605	J	X	
J606	J	X	
J607	J	X	
J608	J	X	
J609	J	X	
J610	J	X	
J611	J	X	
J612	J	X	
J613	J	X	
J614	J	X	
J615	J	X	
J616	J	X	
J617	J	X	
J618	J	X	
J619	J	X	
J620	J	X	
J621	J	X	
J622	J	X	
J623	J	X	
J624	J	X	
J625	J	X	
J626	J	X	
J627	J	X	
J628	J	X	
J629	J	X	
J630	J	X	
J631	J	X	
J632	J	X	
J633	J	X	
J634	J	X	
J635	J	X	
J636	J	X	
J637	J	X	
J638	J	X	
J639	J	X	
J640	J	X	
J641	J	X	
J642	J	X	
J643	J	X	
J644	J	X	
J645	J	X	
J646	J	X	
J647	J	X	
J648	J	X	
J649	J	X	
J650	J	X	
J651	J	X	
J652	J	X	
J653	J	X	
J654	J	X	
J655	J	X	
J656	J	X	
J657	J	X	
J658	J	X	
J659	J	X	
J660	J	X	
J661	J	X	
J662	J	X	
J663	J	X	
J664	J	X	
J665	J	X	
J666	J	X	
J667	J	X	
J668	J	X	
J669	J	X	
J670	J	X	
J671	J	X	
J672	J	X	
J673	J	X	
J674	J	X	
J675	J	X	
J676	J	X	
J677	J	X	
J678	J	X	
J679	J	X	
J680	J	X	
J681	J	X	
J682	J	X	
J683	J	X	
J684	J	X	
J685	J	X	
J686	J	X	
J687	J	X	
J688	J	X	
J689	J	X	
J690	J	X	
J691	J	X	
J692	J	X	
J693	J	X	
J694	J	X	
J695	J	X	
J696	J	X	
J697	J	X	
J698	J	X	
J699	J	X	
J700	J	X	
J701	J	X	
J702	J	X	
J703	J	X	
J704	J	X	
J705	J	X	
J706	J	X	
J707	J	X	
J708	J	X	
J709	J	X	
J710	J	X	
J711	J	X	
J712	J	X	
J713	J	X	
J714	J	X	
J715	J	X	
J716	J	X	
J717	J	X	
J718	J	X	
J719	J	X	
J720	J	X	
J721	J	X	
J722	J	X	
J723	J	X	
J724	J	X	
J725	J	X	
J726	J	X	
J727	J	X	
J728	J	X	
J729	J	X	
J730	J	X	
J731	J	X	
J732	J	X	
J733	J	X	
J734	J	X	
J735	J	X	
J736	J	X	
J737	J	X	
J738	J	X	
J739	J	X	
J740	J	X	
J741	J	X	
J742	J	X	
J743	J	X	
J744	J	X	
J745	J	X	
J746	J	X	
J747	J	X	
J748	J	X	
J749	J	X	
J750	J	X	
J751	J	X	
J752	J	X	
J753	J	X	
J754	J	X	
J755	J	X	
J756	J	X	
J757	J	X	
J758	J	X	
J759	J	X	
J760	J	X	
J761	J	X	
J762	J	X	
J763	J	X	
J764	J	X	
J765	J	X	
J766	J	X	
J767	J	X	
J768	J	X	
J769	J	X	
J770	J	X	
J771	J	X	
J772	J	X	
J773	J	X	
J774	J	X	
J775	J	X	
J776	J	X	
J777	J	X	
J778	J	X	
J779	J	X	
J780	J	X	
J781	J	X	
J782	J	X	
J783	J	X	
J784	J	X	
J785	J	X	
J786	J	X	
J787	J	X	
J788	J	X	
J789	J	X	
J790	J	X	
J791	J	X	
J792	J	X	
J793	J	X	
J794	J	X	
J795	J	X	
J796	J	X	
J797	J	X	
J798	J	X	
J799	J	X	
J800	J	X	
J801	J	X	
J802	J	X	
J803	J	X	
J804	J	X	
J805	J	X	
J806	J	X	
J807	J	X	
J808	J	X	
J809	J	X	
J810	J	X	
J811	J	X	
J812	J	X	
J813	J	X	
J814	J	X	
J815	J	X	
J816	J	X	
J817	J	X	
J818	J	X	
J819	J	X	
J820	J	X	
J821	J	X	
J822	J	X	
J823	J	X	
J824	J	X	
J825	J	X	
J826	J	X	
J827	J	X	
J828	J	X	
J829	J	X	
J830	J	X	
J831	J	X	
J832	J	X	
J833	J	X	
J834	J	X	
J835	J	X	
J836	J	X	
J837	J	X	
J838	J	X	
J839	J	X	
J840	J	X	
J841	J	X	
J842	J	X	
J843	J	X	
J844	J	X	
J845	J	X	
J846	J	X	
J847	J	X	
J848	J	X	
J849	J	X	
J850	J	X	
J851	J	X	
J852	J	X	
J853	J	X	
J854	J	X	
J855	J	X	
J856	J	X	
J857	J	X	
J858	J	X	
J859	J	X	
J860	J	X	
J861	J	X	
J862	J	X	
J863	J	X	
J864	J	X	
J865	J	X	
J866	J	X	
J867	J	X	
J868	J	X	
J869	J	X	
J870	J	X	
J871	J	X	
J872	J	X	
J873	J	X	
J874	J	X	
J875	J	X	
J876	J	X	
J877	J	X	
J878	J	X	
J879	J	X	
J880	J	X	
J881	J	X	
J882	J	X	
J883	J	X	
J884	J	X	
J885	J	X	
J886	J	X	
J887	J	X	
J888	J	X	
J889	J	X	
J890	J	X	
J891	J	X	
J892	J	X	
J893	J	X	
J894	J	X	
J895	J	X	
J896	J	X	
J897	J	X	
J898	J	X	
J899	J	X	
J900	J	X	





ASSY, PWB, MAIN F85Y
1AA0B10S041CA

REFLECTION
LX9841

FOCUS
SCREEN

SANYO
COLOUR TELEVISION
AC3-A
 CHASSIS SERIES
 SERVICE REF. NO. CP14SW1-00

THE SERVICE PRECAUTION:
 The area enclosed by this line (LLL) is directly connected with AC mains voltage. When servicing the area, connect an isolating transformer between TV receiver and AC line to eliminate hazard of electric shock.

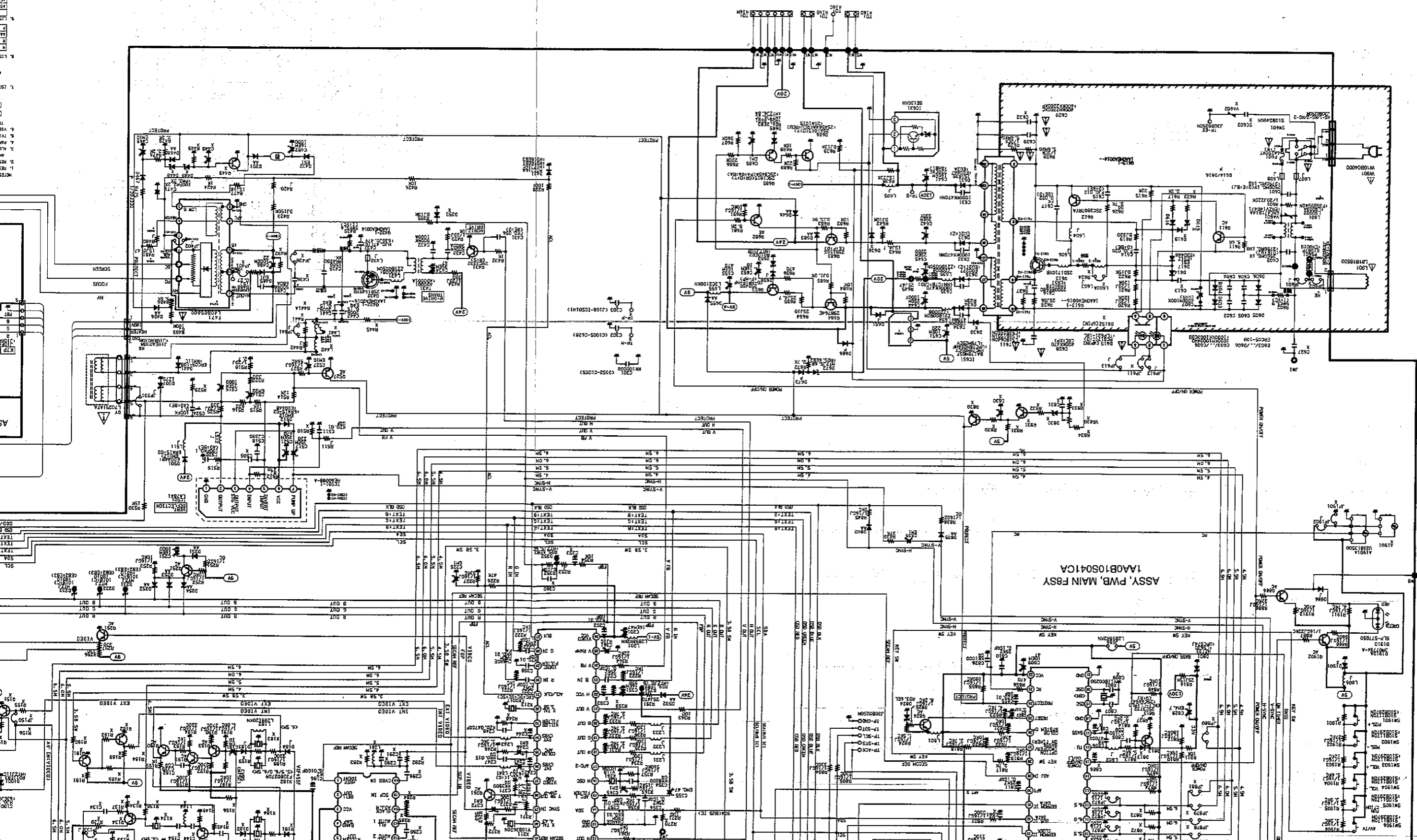
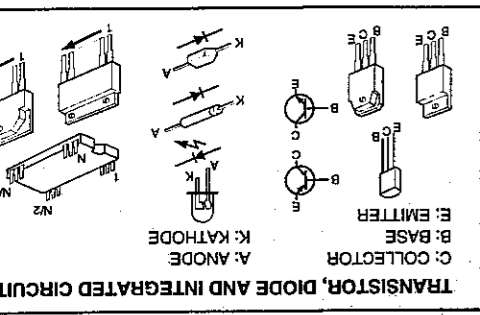
PRODUCT SAFETY NOTICE:
 Product safety should be considered when a component replacement is made in any area of a receiver. Components indicated by a mark Δ in this circuit diagram show components whose values have special significance to product safety. It is particularly recommended that only parts specified on the part service manual be used for components replacement pointed out by the mark.

CIRCUIT DIAGRAM NOTICE:
 1. All resistance rated wattages are 1/8W unless otherwise noted.
 2. All resistance rated wattages are 1/6W unless otherwise noted.
 3. Excepting electrolytic capacitors, all capacitance values of less than 1 μ F are expressed in pF and more than 1 μ F are expressed in μ F and more than 1 μ F are expressed in μ F and more than 1 μ F are expressed in μ F.
 4. All capacitance rated voltages are 50V unless otherwise noted.
 5. All inductance values are in μ H.
 6. Voltage readings taken with a "VTVM" are from point indicated chassis ground. Voltage readings taken by using PAL colour bar signal are with all controls at normal position. Some voltage may vary with signal strength.
 7. Waveform were taken with PAL colour bar and controls adjusted for normal picture. Waveforms were taken by using a wide band oscilloscope and a low capacity probe.
 8. This circuit diagram covers a basic or representative chassis only. There may be some components or partial circuit differences between the actual chassis and the circuit diagram.
 9. Parts specified with "X" are not installed in this model.
 10. Parts specified with "L" are just jumper wires.

11. Expression of capacitance and resistance in circuit diagram.

Capacitance (Example)
 1000 C M 2000 P
 T, A, U, D: Electrolytic
 C, K, B: Ceramic
 F: Mylar film
 M, N: Polypropylene
 Z: Metallized paper
 D: Carbon
 S: Oxidized metalized
 W: Wire winding
 C: Solid

Resistance (Example)
 1/2 N 1 L 2
 Rated wattage (1/2W)
 Kind (M: carbon)
 Allowable error ($\pm 5\%$)
 Resistance value (1.2 Ω)



Waveforms & Voltages

(On the Main Board)

IC201 (IF/VIDEO/CRHOMA/DEF.)																	
Pin-1	0V	2	4.7V	3	0.2V	4	5.9V	5	2.8V	6	1.5V	7	1.5V	8	5.0V	9	2.4V
10	4.5V	11	0.6V	12	2.7V	13	0V	14	4.5V	15	5.8V	16	5.6V	17	4.1V	18	3.1V
19	3.2V	20	3.3V	21	4.4V	22	9.0V	23	2.6V	24	2.9V	25	5.4V	26	5.0V	27	0.6V
28	2.6V	29	3.8V	30	2.6V	31	3.0V	32	3.2V	33	3.8V	34	1.6V	35	3.1V	36	2.2V
37	0V	38	2.0V	39	3.2V	40	3.2V	41	1.5V	42	9.1V	43	1.9V	44	0.5V	45	3.5V
46	3.1V	47	2.3V	48	2.5V	49	4.0V	50	4.0V	51	3.1V	52	5.7V				

IC202					
Pin-1	9.1V	2	0V	3	5.0V

IC501 (Vert. Out)													
Pin-1	0V	2	11.6V	3	22.7V	4	4.5V	5	4.5V	6	22.6V	7	1.8V

IC001 (AUDIO AMP.)																	
Pin-1	6.2V	2	0V	3	6.3V	4	0.8V	5	2.7V	6	9.8V	7	9.8V	8	0V	9	10.8V
10	20.8V																

IC802 (Memory)															
Pin-1	0V	2	0V	3	0V	4	0V	5	5.0V	6	5.0V	7	0V	8	5.0V

IC801 (CPU)																	
Pin-1	4.1V	2	4.8V	3	0V	4	9.1V	5	2.7V	6	5.0V	7	0V	8	0V	9	0V
10	5.0V	11	5.0V	12	5.0V	13	5.0V	14	5.0V	15	5.0V	16	4.5V	17	0V	18	0V
19	4.2V	20	2.2V	21	0V	22	5.0V	23	5.0V	24	5.0V	25	5.0V	26	2.8V	27	4.0V
28	0V	29	1.4V	30	2.5V	31	5.1V	32	4.5V	33	5.1V	34	4.5V	35	5.0V	36	5.0V
37	5.0V	38	0V	39	0V	40	0V	41	0V	42	0V						

IC631					
Pin-1	129.4V	2	30.7V	3	0V

Q001		Q1001		Q1002		Q101	
B	0V	B	3.3V	B	5.9V	B	1.5V
C	0V	C	5.9V	C	0V	C	0.7V
E	0V	E	2.6V	E	6.5V	E	3.8V

Q137		Q140	
B	5.7V	B	5.7V
C	9.1V	C	0V
E	5.0V	E	6.3V

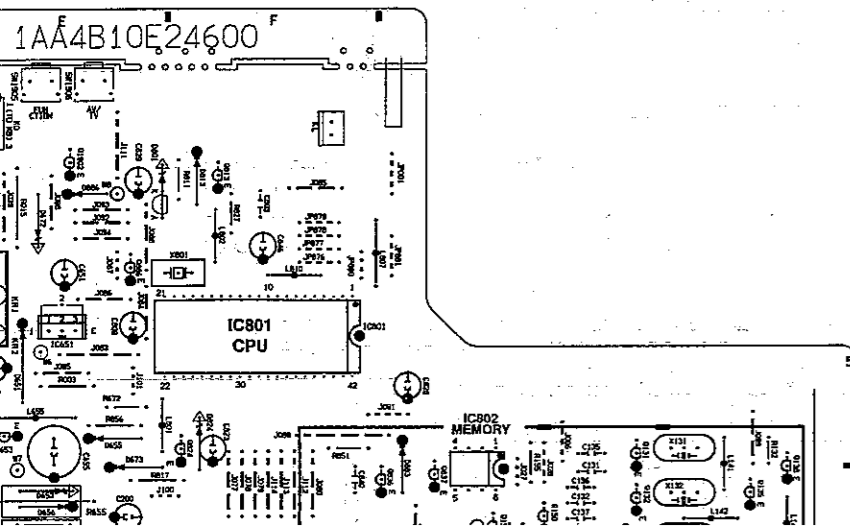
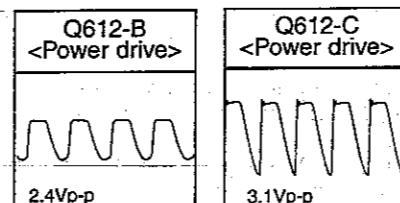
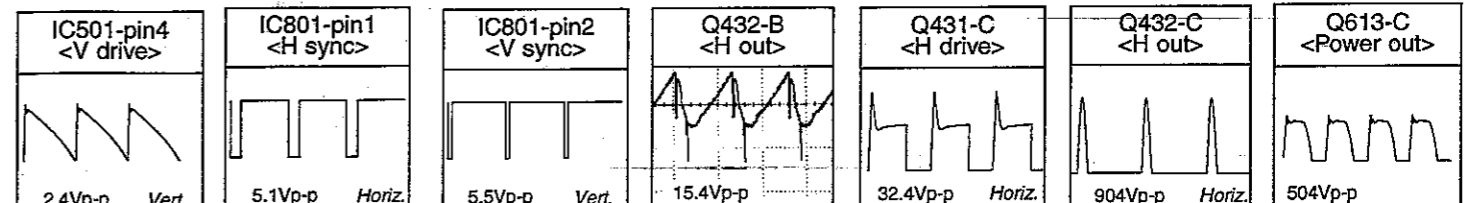
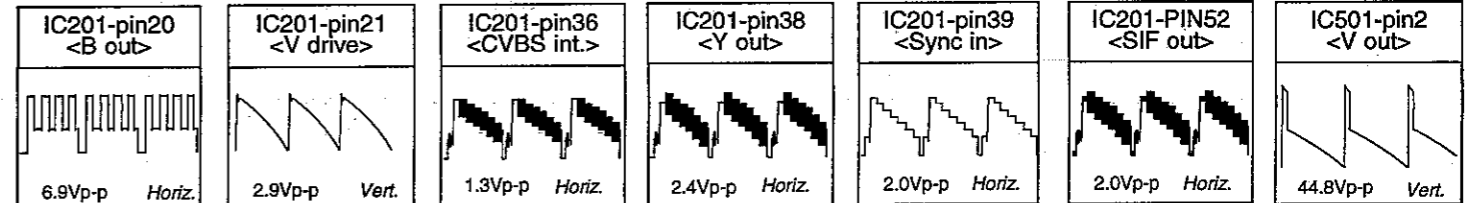
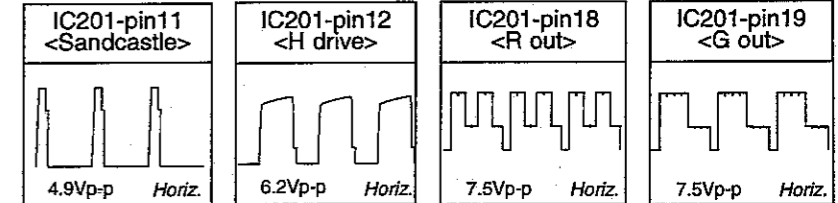
Q183		Q190	
B	3.5V	B	1.5V
C	6.2V	C	0V
E	2.9V	E	2.2V

Q1902		Q191	
B	5.0V	B	6.2V
C	-1V	C	1.5V
E	5.1V	E	6.8V

Q251		Q261	
B	9.1V	B	2.0V
C	0V	C	0V
E	9.0V	E	2.6V

Q291 B 2.6V C 0V E 3.3V	Q431 B -0.2V C 14.6V E 0V	Q432 B 1.2V C 131.2V E 1.2V	Q527 B 0V C 4.8V E 0V	Q611 B 14.4V C 0V E 14.5V	Q612 B -0.4V C -0.6V E 0V	Q613 B -0.7V C 320V E 0V	Q653 B 10.0V C 9.9V E 9.3V	Q682 B 0.6V C 0V E 0V	Q683 B 24.0V C 24.6V E 24.7V	Q684 B 14.5V C 15.1V E 15.3V	Q685 B 0.5V C 30.7V E 0.4V	Q686 B 30.7V C 0V E 30.8V
---	---	---	---------------------------------------	---	---	--	--	---------------------------------------	--	--	--	---

Q813 B 0.7V C 2.0V E 0V	Q824 B 4.4V C 5.0V E 5.0V	Q836 B -0.1V C 4.1V E 0V	Q837 B -0.2V C 4.8V E 0V	Q886 B 5.0V C 1.6V E 5.0V
---	---	--	--	---



Waveforms & Voltages

(On the Main Board)

IC201 (IF/VIDEO/CRHOMA/DEF)					
Pin-1	0V	2	4.7V	3	0.2V
10	4.5V	11	0.6V	12	2.7V
19	3.2V	20	3.3V	21	4.4V
28	2.6V	29	3.8V	30	2.6V
37	0V	38	2.0V	39	3.2V
46	3.1V	47	2.3V	48	2.5V

IC202			IC501 (Vert. ...)				
Pin-1	9.1V	2	0V	3	5.0V	Pin-1	0V

IC001 (AUDIO AMP.)					
Pin-1	6.2V	2	0V	3	6.3V
10	20.8V				

IC802 (Memory)					
Pin-1	0V	2	0V	3	0V

IC801 (CPU)					
Pin-1	4.1V	2	4.8V	3	0V
10	5.0V	11	5.0V	12	5.0V
19	4.2V	20	2.2V	21	0V
28	0V	29	1.4V	30	2.5V
37	5.0V	38	0V	39	0V

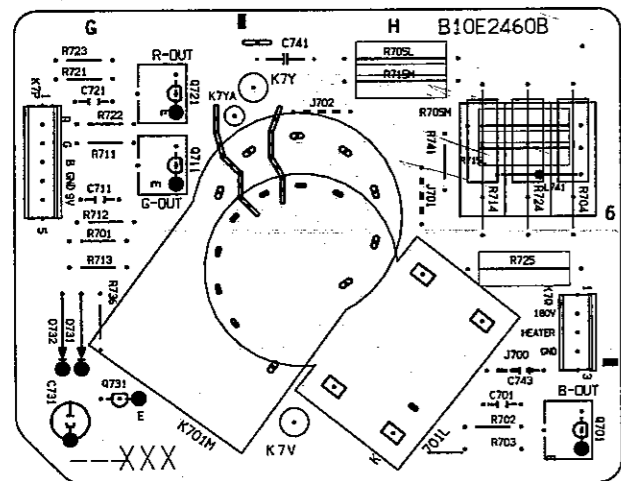
IC631					
Pin-1	129.4V	2	30.7V	3	0V

Q137	
B	5.7V
C	9.1V
E	5.0V

Q291		Q431		Q432		Q527	
B	2.6V	B	-0.2V	B	1.2V	B	0V
C	0V	C	14.6V	C	131.2V	C	4.8V
E	3.3V	E	0V	E	1.2V	E	0V

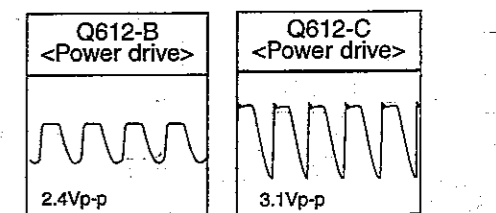
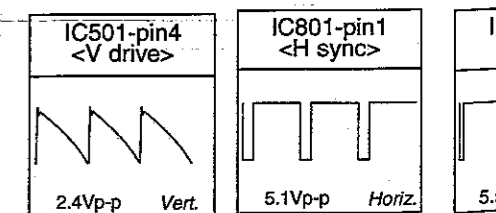
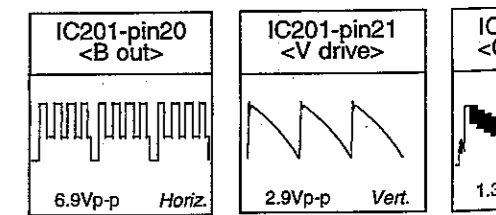
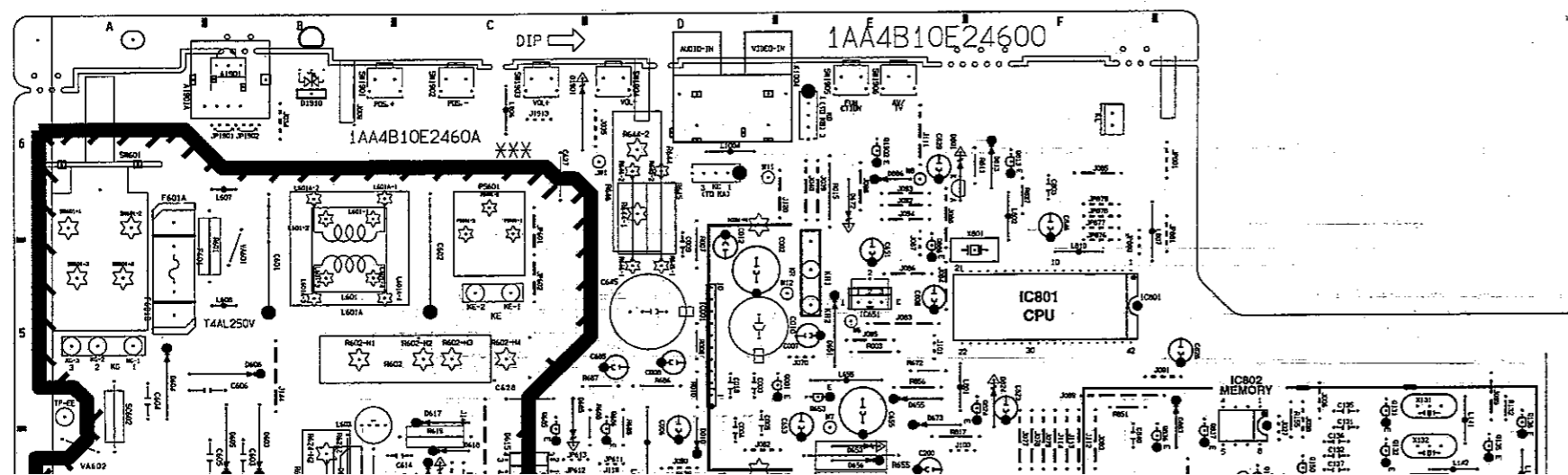
Q813		Q824		Q836		Q837	
B	0.7V	B	4.4V	B	-0.1V	B	-0.2V
C	2.0V	C	5.0V	C	4.1V	C	4.8V
E	0V	E	5.0V	E	0V	E	0V

CRT BOARD (Component Location)

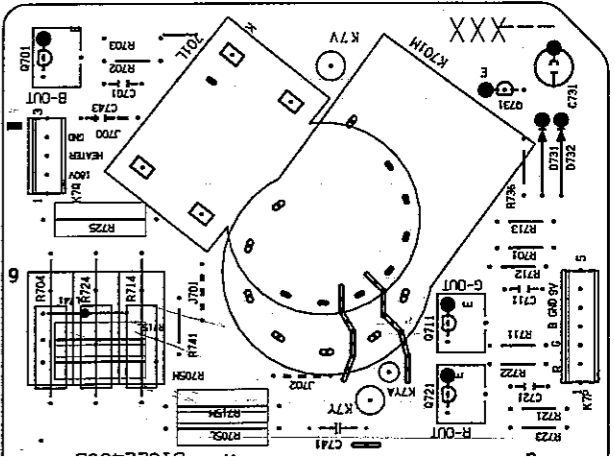


F8LC

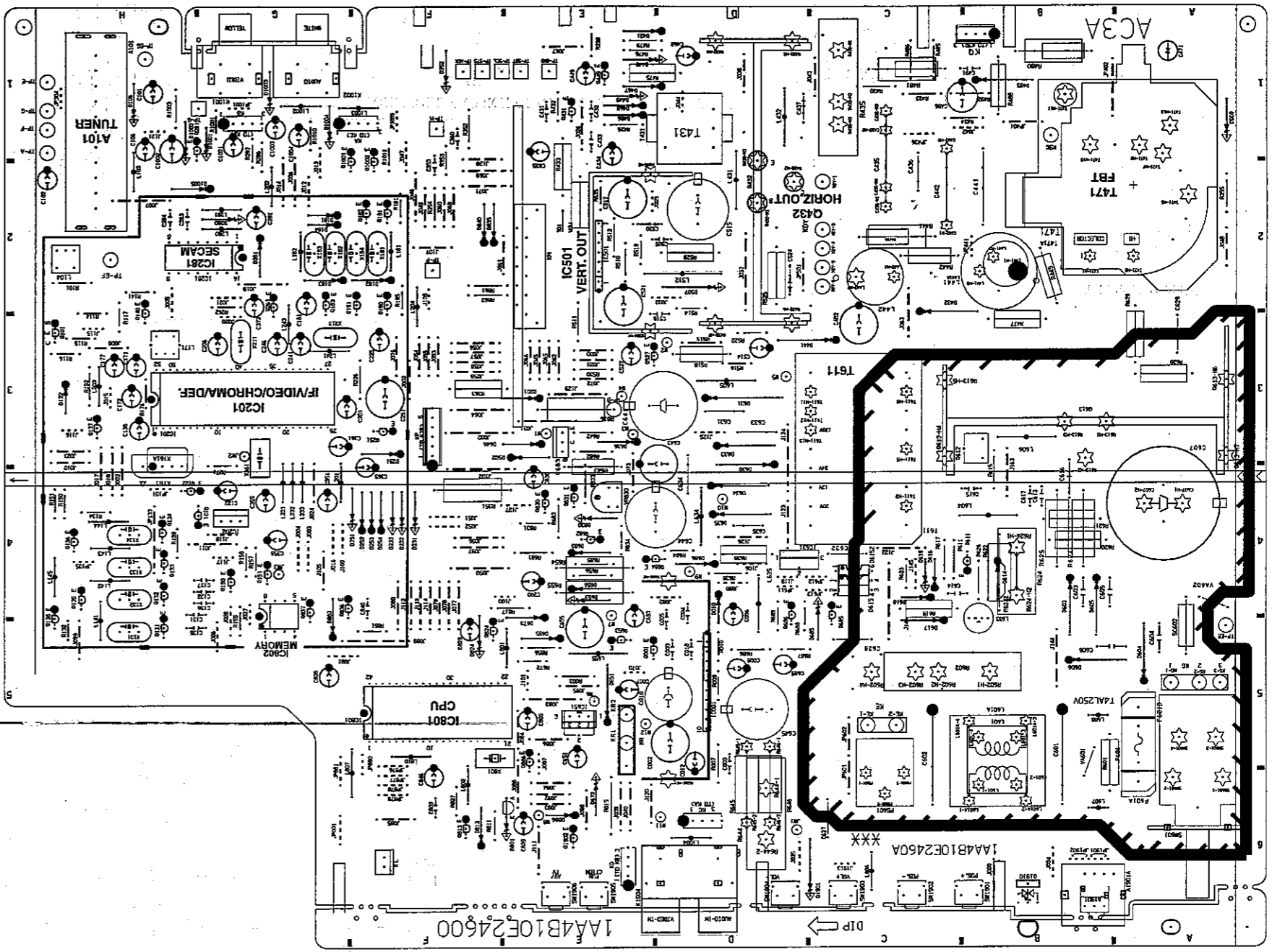
MAIN BOARD (Component Location)



F8LC



MAIN BOARD (Component Location)



F8LC

(On the CRT Board)

