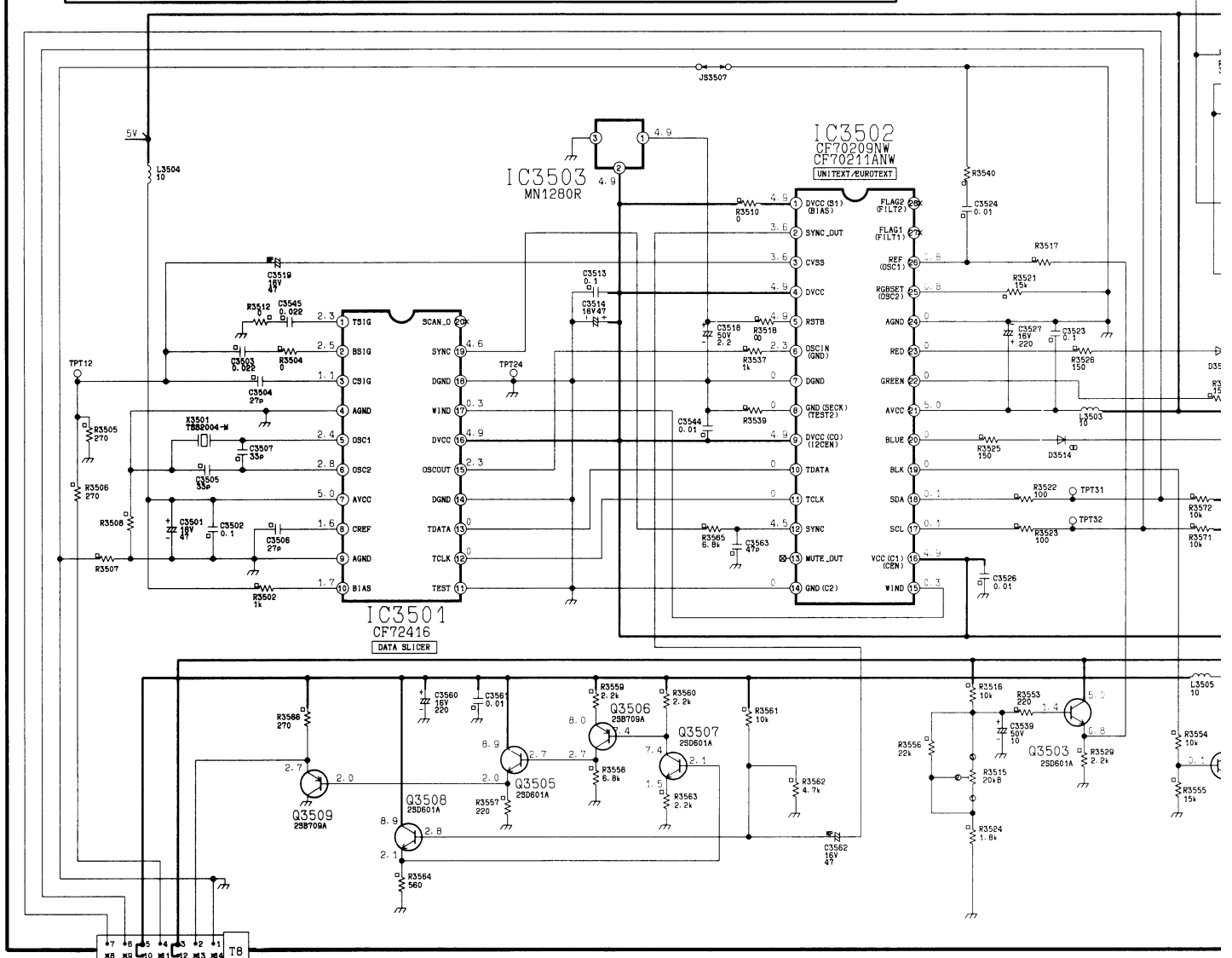


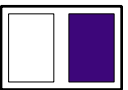
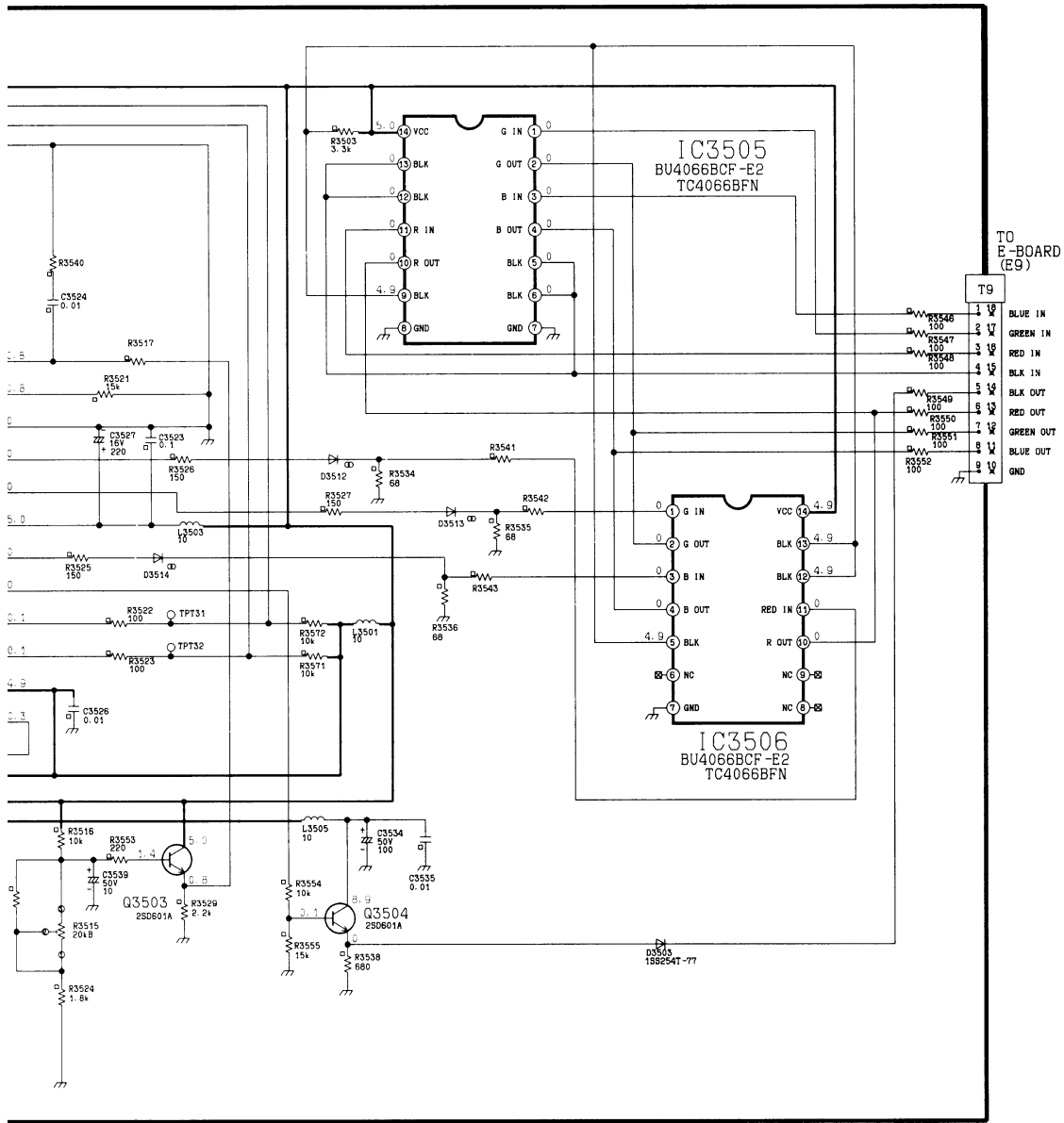
T-BOARD TNP4G039AN (FOR TX-21V80T/21G10T)

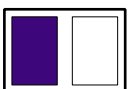
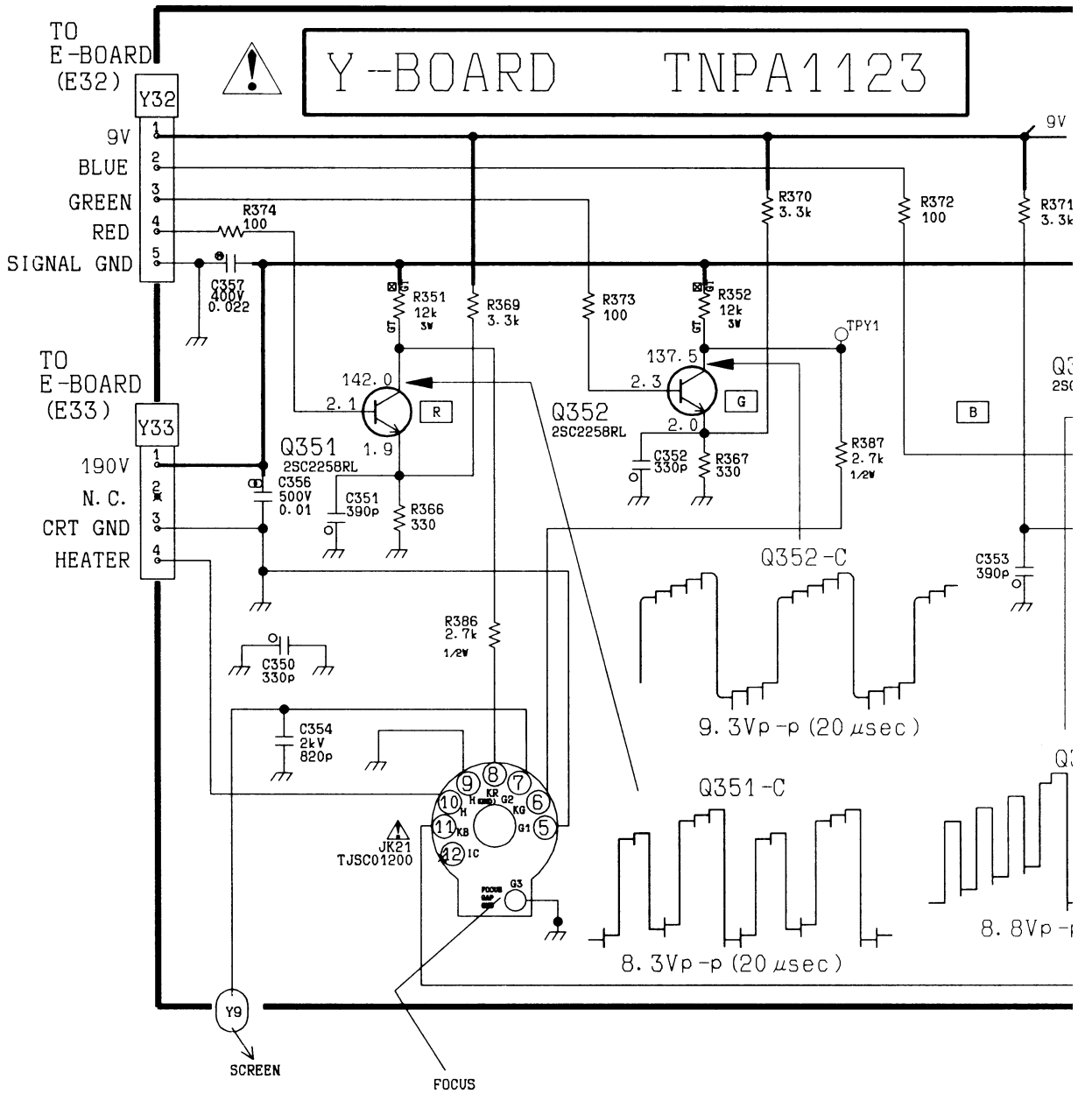


TO E-BOARD (E8)

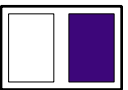
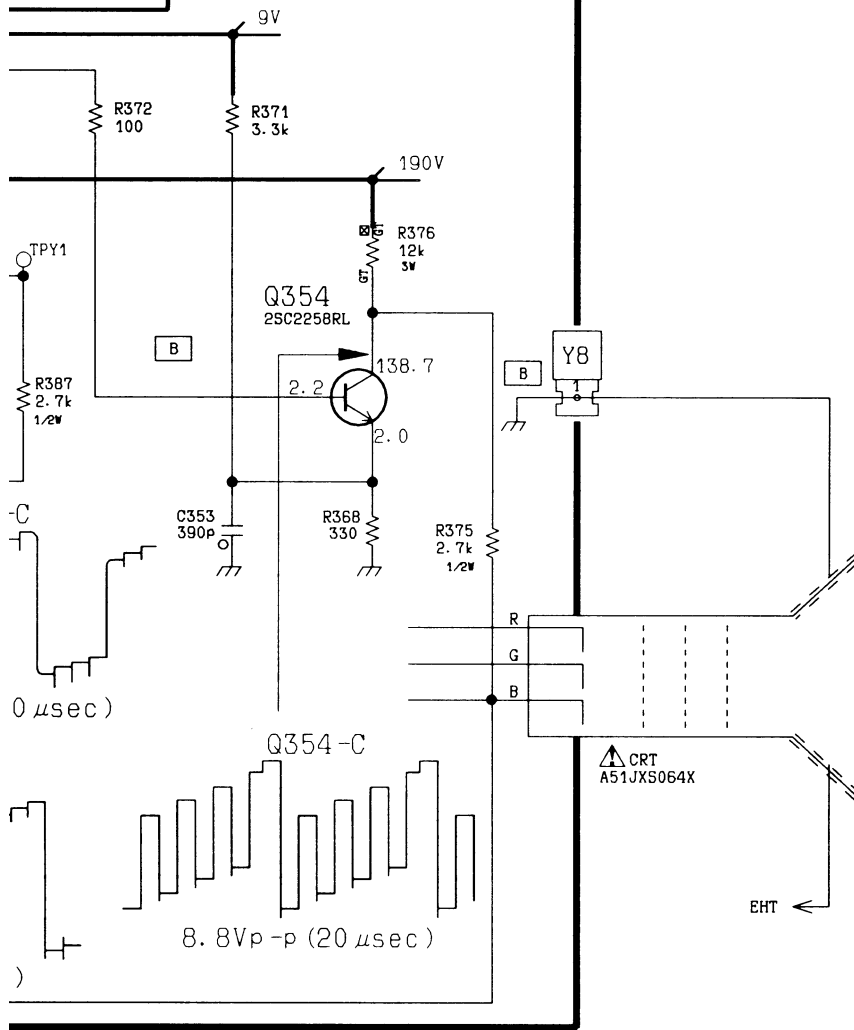
47 SDA
 48 SCL
 49 12V
 44 VIDEO IN
 45 SY
 42 SYNC OUT
 41 DEND
 TB



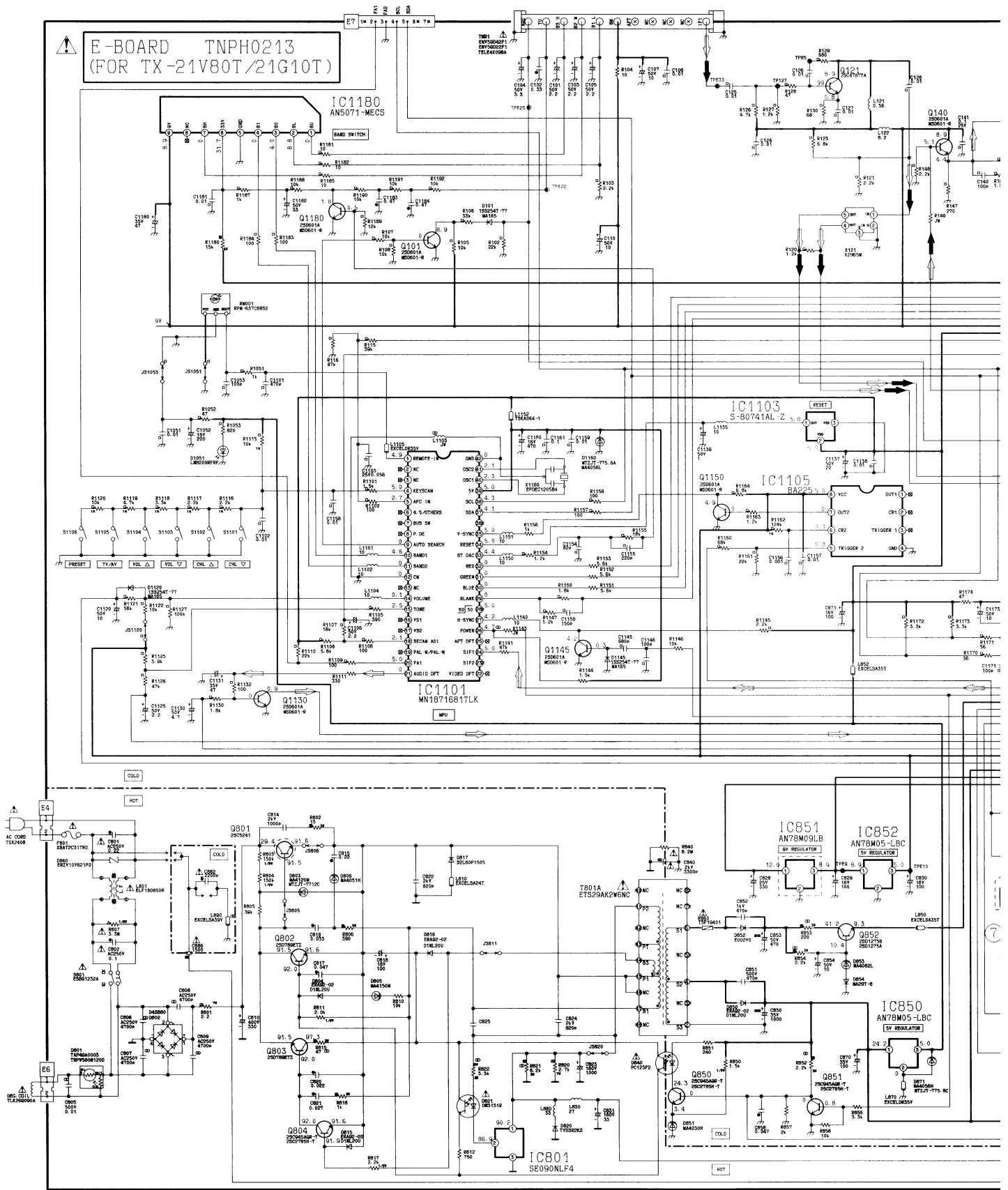


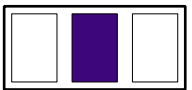
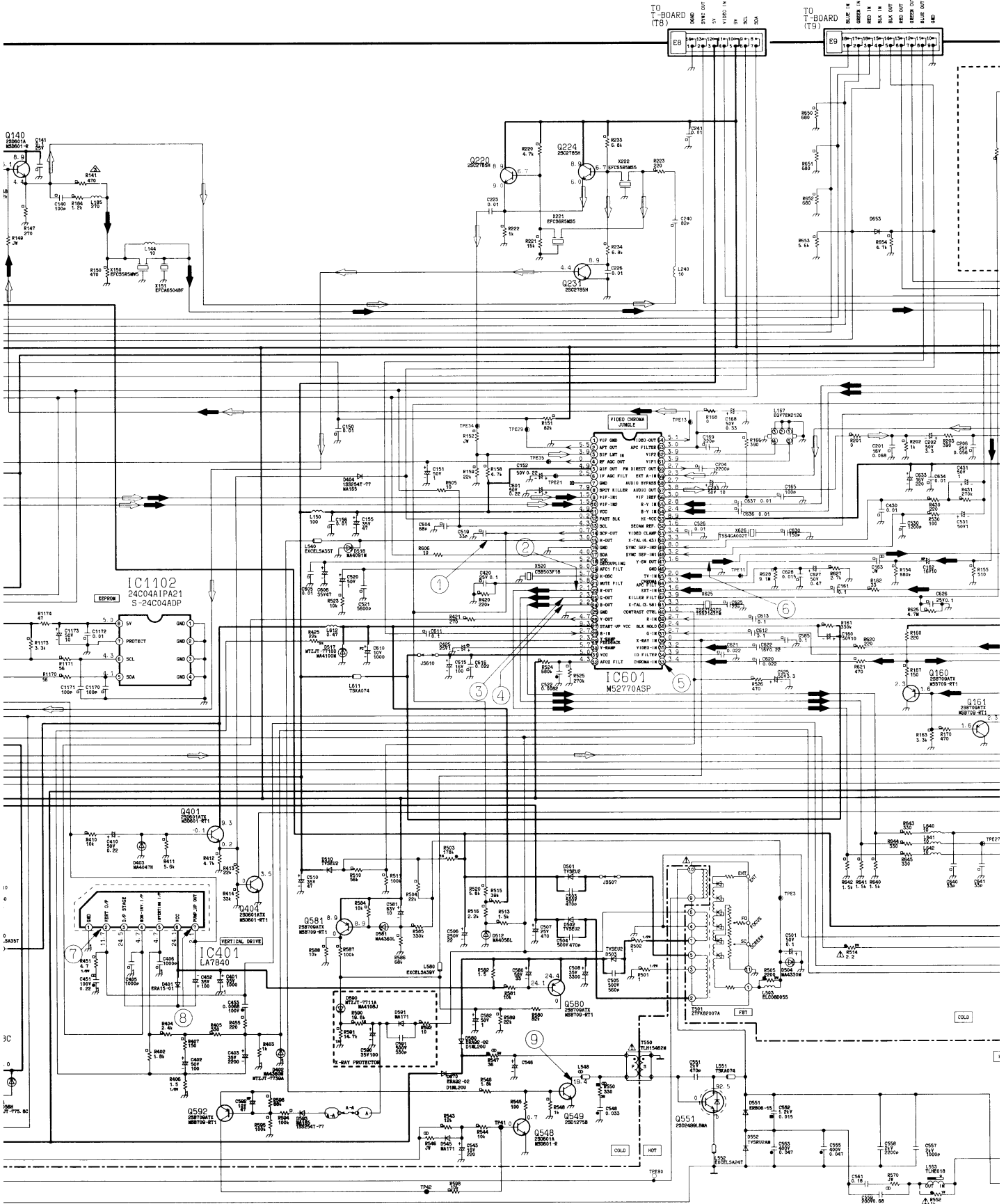


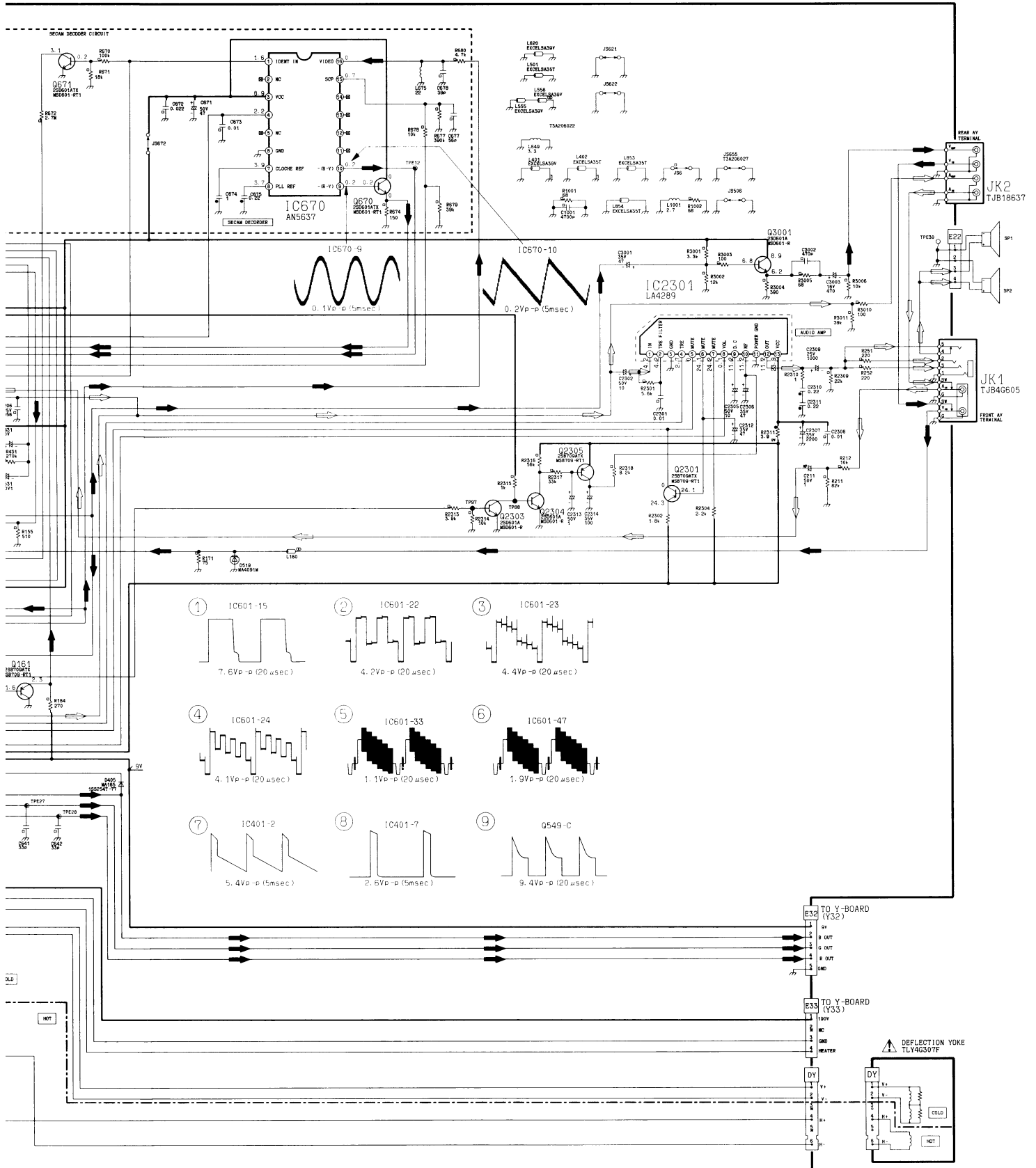
123



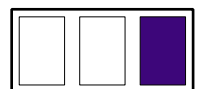
E-BOARD TNPH0213
(FOR TX-21V80T/21G10T)



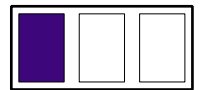
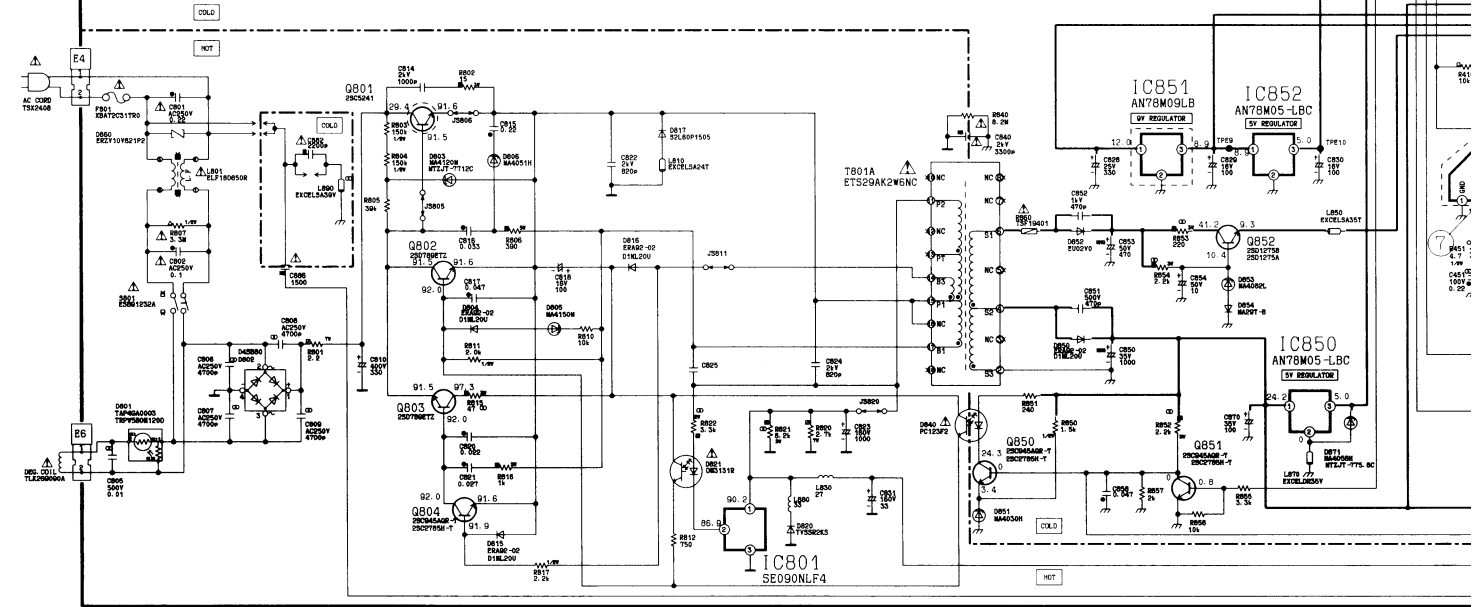
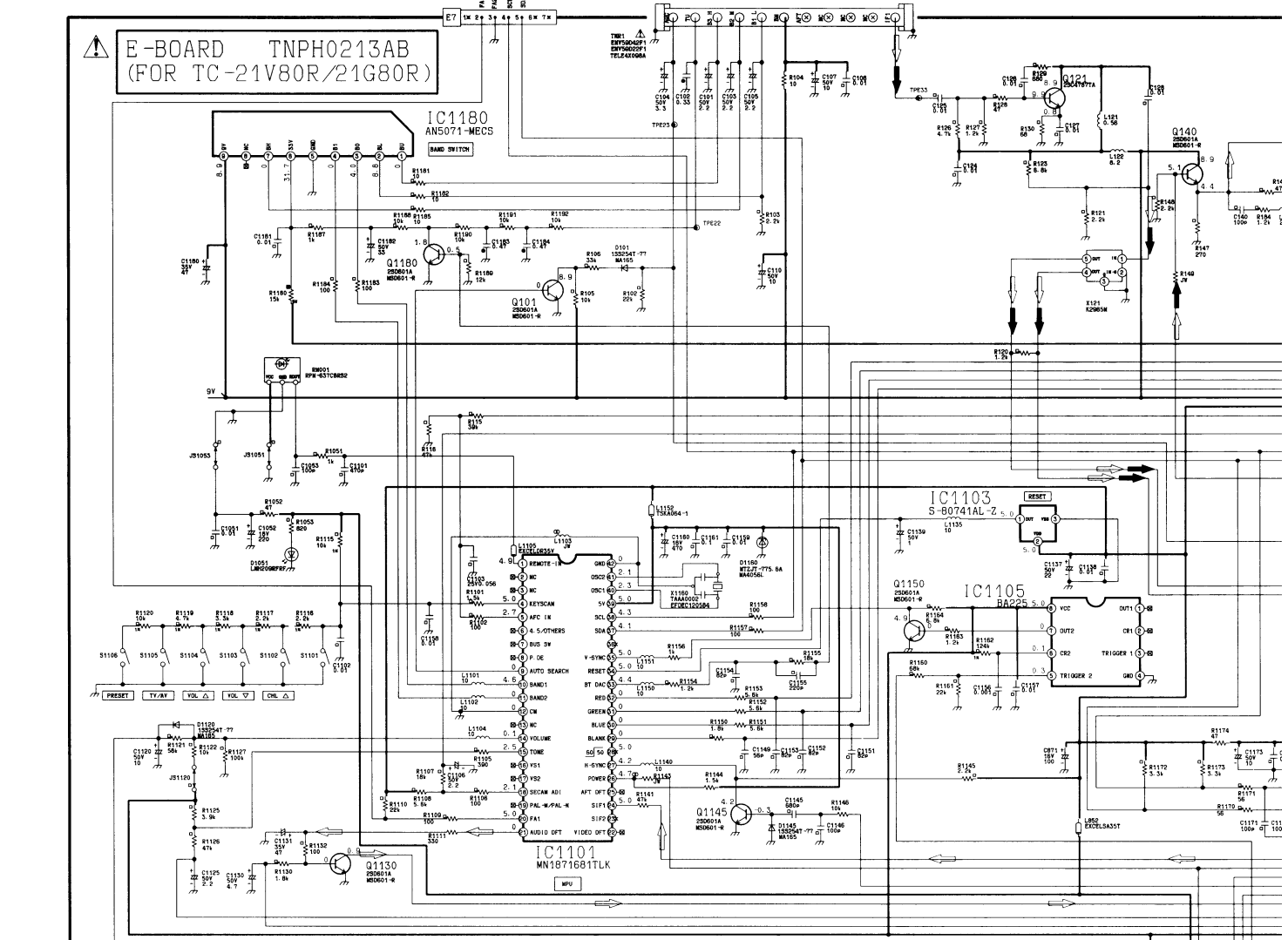


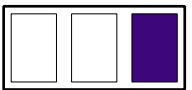
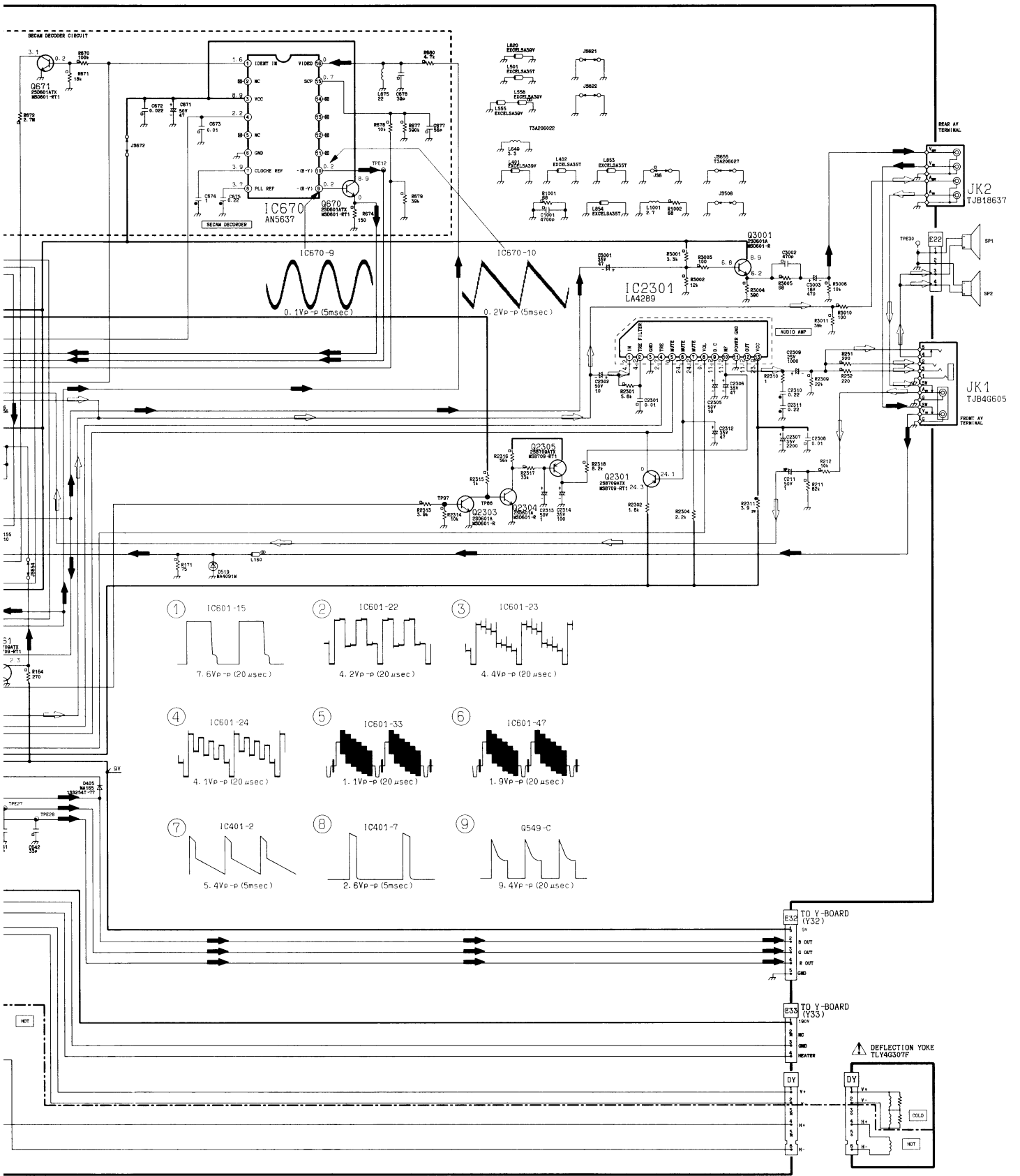


**E-Board (For TX-21V80T/21G10T)
/E-Board (For TC-21V80R/21G10R)**



E-BOARD TNPH0213AB (FOR TC-21V80R/21G80R)





E-BOARD TNPH0213AC (FOR TC-2195R)

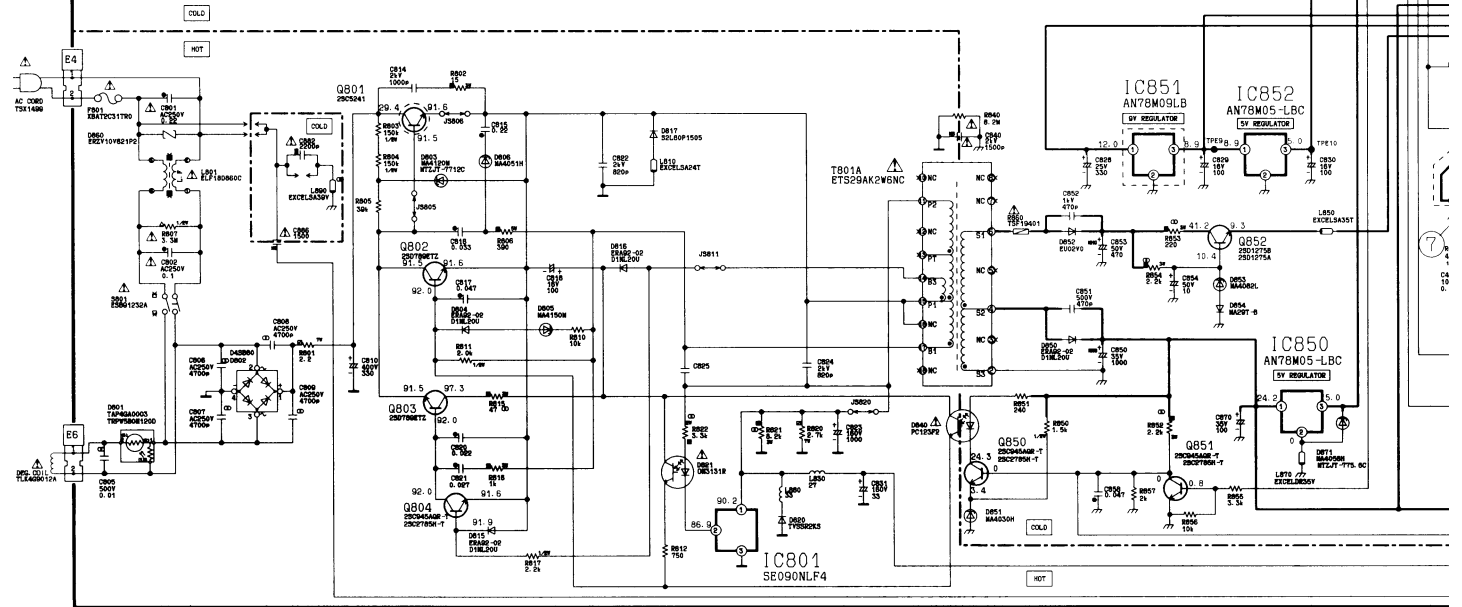
E7 1X 2 3 4 5 6 7 8

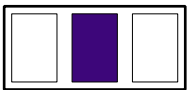
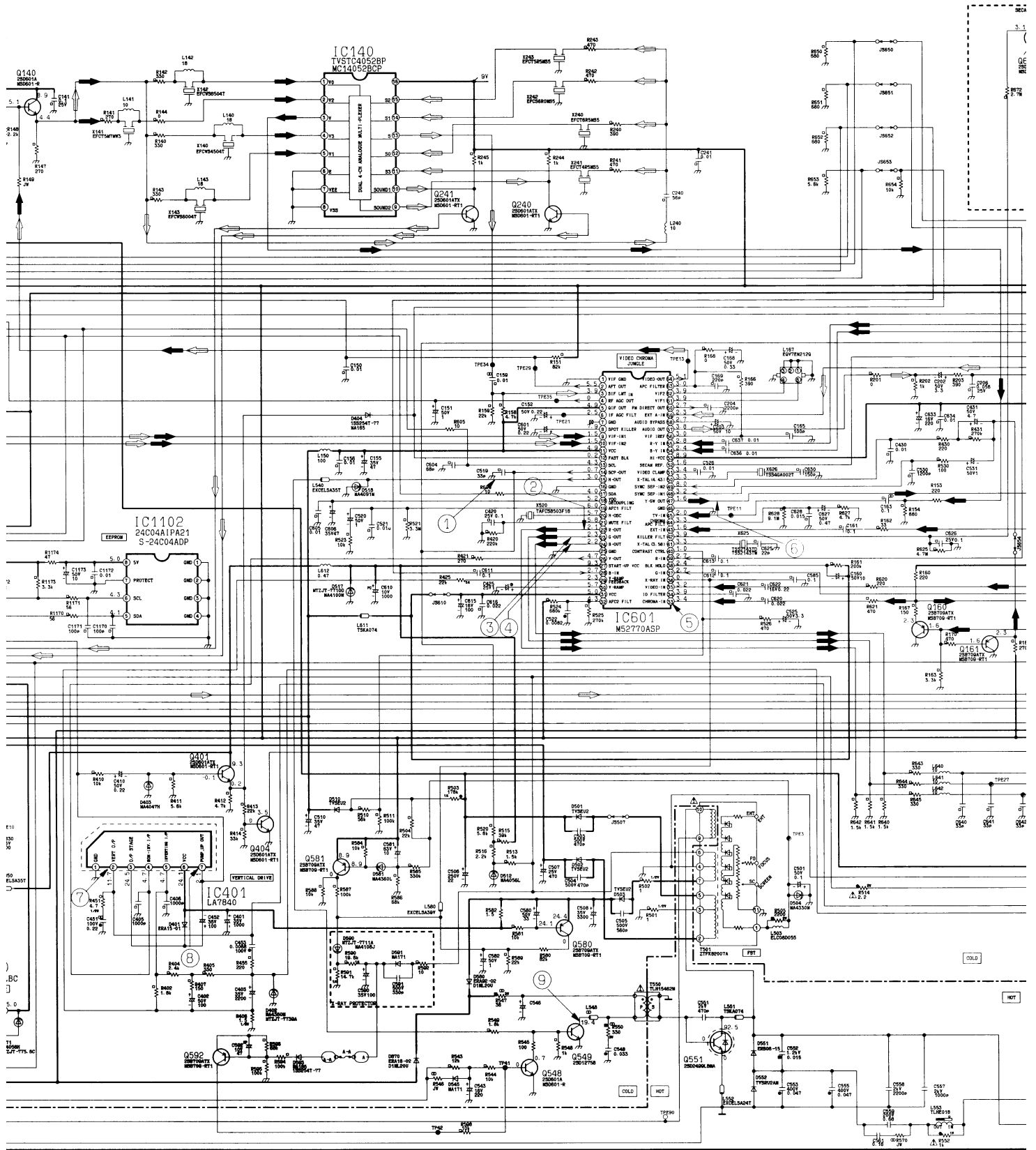
IC1180
ANS071-WECS
BAND SWITCH

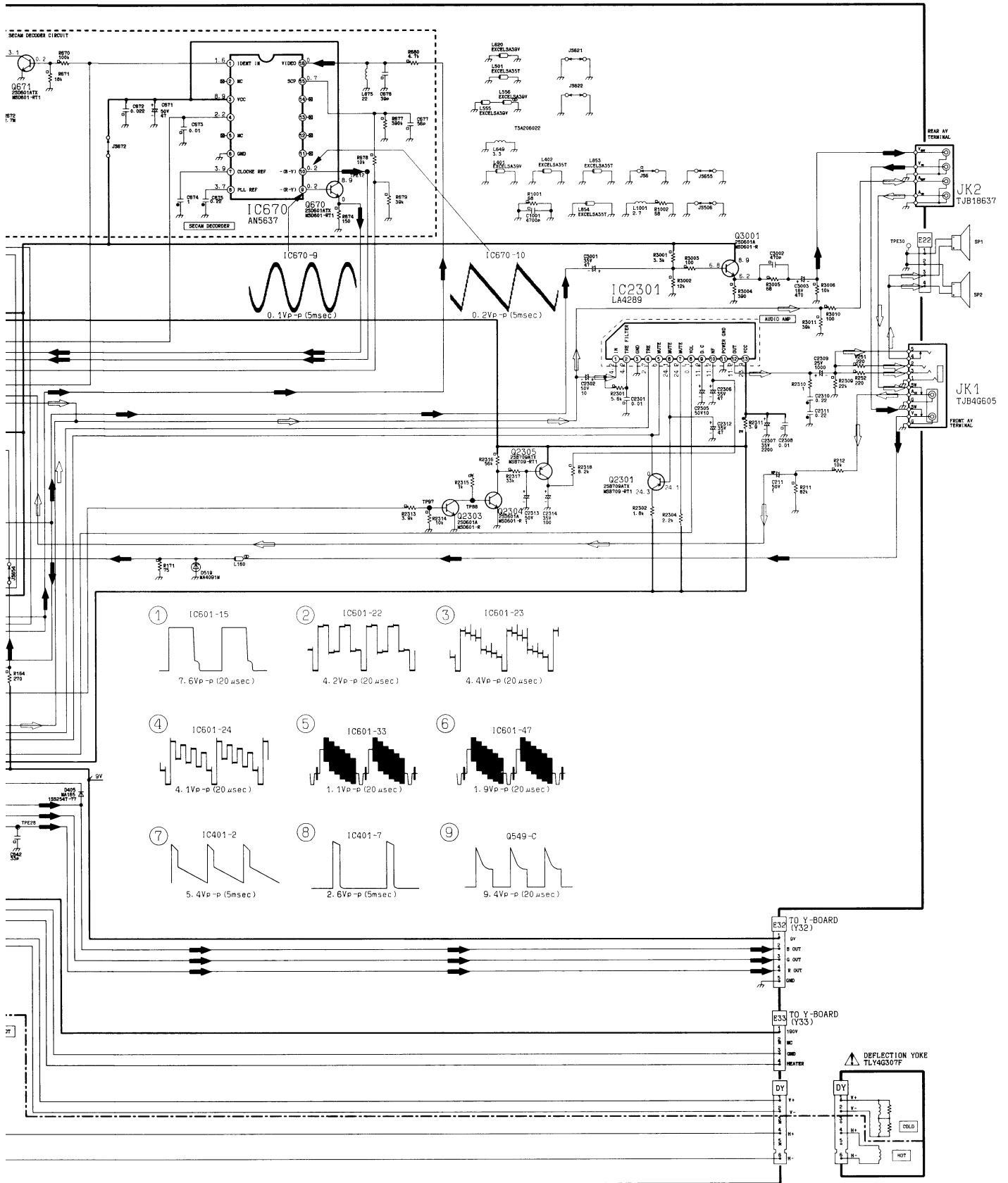
IC1101
MN1871681TLK
MPV

IC1103
S-80741AL-2 5.0
RESET

IC1105
HA225 5.0
VCC
OUT1
OUT2
TRIGGER 1
TRIGGER 2
GND







E-Board(For TC-2195R)/Parts Location

