

(16). FUNCTION GENERATOR

PAGE : 17

NO.	FND NO	DESCRIPTION & SPEC.	P / N	NO.	FND NO	DESCRIPTION & SPEC.	P / N
1	C 1	CAP ELE, 25V, M, 22UF(SM)	CE1EL226M	2	C 2	CAP ELE, 25V, M, 22UF(SM)	CE1EL226M
3	C 3	CAP ELE, 25V, M, 22UF(SM)	CE1EL226M	4	C 4	CAP CER, 50V, K, 0. 01UF	CK1HL103K
5	C 5	CAP ELE, 25V, M, 22UF(SM)	CE1EL226M	6	C 6	CAP ELE, 25V, M, 22UF(SM)	CE1EL226M
7	C 7	CAP ELE, 25V, M, 22UF(SM)	CE1EL226M	8	C 8	CAP ELE, 25V, M, 22UF(SM)	CE1EL226M
9	C 9	CAP ELE, 25V, M, 22UF(SM)	CE1EL226M	10	C10	CAP CER, 50V, J, 39PF	CK1HL390J
11	C11	CAP ELE, 25V, M, 22UF(SM)	CE1EL226M	12	C12	CAP ELE, 25V, M, 22UF(SM)	CE1EL226M
13	C13	CAP CER, 50V, K, 330PF	CK1HL331K	14	C14	CAP ELE, 25V, M, 22UF(SM)	CE1EL226M
15	C15	CAP ELE, 25V, M, 22UF(SM)	CE1EL226M	16	C16	CAP CER, 50V, J, 150PF(T. C BLACK)	CT1HL151J
17	C17	CAP P. P STYROL 25V 2200PF	CQ1EL222K	18	C18	CAP M. F, 50V, K, 0. 022UF	CH1HL223K
19	C19	CAP CER, 50V, J, 39PF	CK1HL390J	20	C20	CAP M. F, 100V, K, 0. 22UF	CH2AL224K
21	C21	CAP M. F, 100V, K, 2. 2UF	CH2AL225K	22	C22	CAP CER, 50V, K, 0. 01UF	CK1HL103K
23	C24	CAP CER, 50V, K, 220PF	CK1HL221K	24	C25	CAP CER, 50V, J, 39PF	CK1HL390J
25	C26	CAP CER, 50V, J, 150PF(T. C BLACK)	CT1HL151J	26	C27	CAP CER, 50V, J, 20PF(T. C BLACK)	CT1HL200J
27	D1	DIODE ZENER, DZ-5. 1B	585-111	28	D2	DIODE, 1N4148 OR DS4148	585-002
29	D3	DIODE, 1N4148 OR DS4148	585-002	30	D4	DIODE, 1N4148 OR DS4148	585-002
31	D5	DIODE, 1N4148 OR DS4148	585-002	32	D6	DIODE, 1N4148 OR DS4148	585-002
33	D7	DIODE, 1N4148 OR DS4148	585-002	34	D8	DIODE, 1N4148 OR DS4148	585-002
35	P1	CONNECTOR WAFER, LW-0640-03	531-002-7	36	P2	CONNECTOR WAFER, LW-0640-03	531-002-7
37	P3	CONNECTOR WAFER, LW-0640-03	531-002-7	38	Q 1	TRANSISTOR, 2N3904	611-006-1
39	Q 2	TRANSISTOR, 2N3906	611-022-1	40	Q 3	TRANSISTOR, 2N3904	611-006-1
41	Q 4	FET, 2SK304-E	611-140	42	Q 5	FET, 2SK304-E	611-140
43	Q 6	TRANSISTOR, 2N3906	611-022-1	44	Q 7	TRANSISTOR, 2N3904	611-006-1
45	Q 8	TRANSISTOR, KTC3198-Y	611-001-1	46	Q 9	TRANSISTOR, KTC3198-Y	611-001-1
47	Q10	TRANSISTOR, KTC3198-Y	611-001-1	48	Q11	TRANSISTOR, KTC3198-Y	611-001-1
49	Q12	TRANSISTOR, 2N3904	611-006-1	50	Q13	TRANSISTOR, 2N3904	611-006-1
51	Q14	TRANSISTOR, 2N3906	611-022-1	52	Q15	TRANSISTOR, 2N2219	611-036
53	Q16	TRANSISTOR, 2N2905	611-054	54	R 1	RES C. F, 1/4W, 5%, 33	RD0BP330J
55	R 2	RES C. F, 1/4W, 5%, 4. 7K	RD0BP472J	56	R 4	RES M. F, 1/4W, 1%, 1K	RMBP1001F
57	R 5	RES M. F, 1/4W, 1%, 1K	RMBP1001F	58	R 6	RES C. F, 1/4W, 5%, 4. 7K	RD0BP472J
59	R 7	RES C. F, 1/4W, 5%, 120	RD0BP121J	60	R 8	RES C. F, 1/4W, 5%, 470	RD0BP471J
61	R 9	RES C. F, 1/4W, 5%, 470	RD0BP471J	62	R10	RES C. F, 1/4W, 5%, 100	RD0BP101J
63	R11	RES M. F, 1/4W, 1%, 10K	RMBP1002F	64	R12	RES M. F, 1/4W, 1%, 220	RMBP2200F
65	R13	RES M. F, 1/4W, 1%, 10K	RMBP1002F	66	R14	RES M. F, 1/4W, 1%, 1. 5K	RMBP1501F
67	R15	RES M. F, 1/4W, 1%, 150K	RMBP1503F	68	R16	RES M. F, 1/4W, 1%, 330	RMBP3300F
69	R17	RES C. F, 1/4W, 5%, 2K	RD0BP202J	70	R18	RES M. F, 1/4W, 1%, 2K	RMBP2001F
71	R19	RES M. F, 1/4W, 1%, 300K	RMBP3003F	72	R20	RES M. F, 1/8W, 1%, 3K	RMBP3001F
73	R21	RES C. F, 1/4W, 5%, 220	RD0BP221J	74	R22	RES M. F, 1/4W, 1%, 1K	RMBP1001F
75	R23	RES C. F, 1/4W, 5%, 10	RD0BP100J	76	R24	RES M. F, 1/4W, 1%, 1K	RMBP1001F
77	R25	RES M. F, 1/4W, 1%, 1K	RMBP1001F	78	R26	RES M. F, 1/4W, 1%, 10K	RMBP1002F
79	R27	RES M. F, 1/4W, 1%, 820	RMBP8200F	80	R28	RES M. F, 1/4W, 1%, 220	RMBP2200F
81	R29	RES M. F, 1/4W, 1%, 1K	RMBP1001F	82	R30	RES C. F, 1/4W, 5%, 220	RD0BP221J
83	R31	RES M. F, 1/4W, 1%, 10K	RMBP1002F	84	R32	RES M. F, 1/4W, 1%, 1. 5K	RMBP1501F
85	R33	RES M. F, 1/4W, 1%, 750	RMBP7500F	86	R34	RES M. F, 1/4W, 1%, 300	RMBP3000F
87	R35	RES C. F, 1/4W, 5%, 7. 5K	RD0BP752J	88	R36	RES M. F, 1/4W, 1%, 2K	RMBP2001F
89	R38	RES M. F, 1/4W, 1%, 750	RMBP7500F	90	R39	RES M. F, 1/4W, 1%, 270	RMBP2700F

(16). FUNCTION GENERATOR

PAGE : 18

NO.	FND NO	DESCRIPTION & SPEC.	P / N	NO.	FND NO	DESCRIPTION & SPEC.	P / N
91	R40	RES C. F, 1/4W, 5%, 750	RD0BP751J	92	R41	RES M. F, 1/4W, 1%, 5. 6K	RMBP5601F
93	R42	RES C. F, 1/2W, 5%, 1K	RD0CP102J	94	R43	RES M. F, 1/4W, 1%, 5. 6K	RMBP5601F
95	R44	RES C. F, 1/4W, 5%, 10	RD0BP100J	96	R45	RES C. F, 1/4W, 5%, 510	RD0BP511J
97	R46	RES C. F, 1/4W, 5%, 10	RD0BP100J	98	R47	RES C. F, 1/4W, 5%, 1K	RD0BP102J
99	R48	RES M. F, 1/4W, 1%, 220	RMBP2200F	100	R49	RES M. F, 1/4W, 1%, 12. 1	RMBP12R1F
101	R50	RES M. F, 1/4W, 1%, 1K	RMBP1001F	102	R51	RES C. F, 1/4W, 5%, 68K	RD0BP683J
103	R52	RES C. F, 1/4W, 5%, 300	RD0BP301J	104	R53	RES M. F, 1/4W, 1%, 1K	RMBP1001F
105	R54	RES M. F, 1/4W, 1%, 1K	RMBP1001F	106	R55	RES M. F, 1/4W, 1%, 330	RMBP3300F
107	R56	RES C. F, 1/4W, 5%, 750	RD0BP751J	108	R57	RES C. F, 1/4W, 5%, 4. 7	RD0BP4R7J
109	R58	RES C. F, 1/2W, 5%, 100	RD0CP101J	110	R59	RES C. F, 1/2W, 5%, 100	RD0CP101J
111	R60	RES C. F, 1/4W, 5%, 4. 7	RD0BP4R7J	112	R61	RES M. F, 1/4W, 1%, 150	RMBP1500F
113	R62	RES M. F, 1/4W, 1%, 430	RMBP4300F	114	R63	RES C. F, 1/4W, 5%, 22	RD0BP220J
115	S1	SW PUSH, SPUN-30	521-080	116	S2	SW PUSH, SPUN-70	521-094
117	U1	IC OP AMP, GL324	591-131-9	118	U2	IC OP AMP, GL324	591-131-9
119	U3	IC TTL, GD74S00	591-275-9	120	U4	IC SN75107A	591-316-1
121	VR1	RES VAR, V16L5DS(E113D-B2544)	571-312-1	122	VR2	RES SR, VG068TL1B-500B	572-319-1
123	VR3	RES SR, VG068TL1B-1KB	572-315-1	124	VR4	RES SR, VG068TL1B-100B	572-327
125	VR5	RES SR, VG068TL1B-100KB	572-313-1	126	VR6	RES SR, VG068TL1B-1KB	572-315-1
127	VR7	RES SR, VG068TL1B-2KB	572-318-1	128	VR8	RES VAR, K161100-10KB, L=15MM	571-056-1
129	W1	WIRING HARNESS, WHFG104	550-721-A				

(17). OTHERS

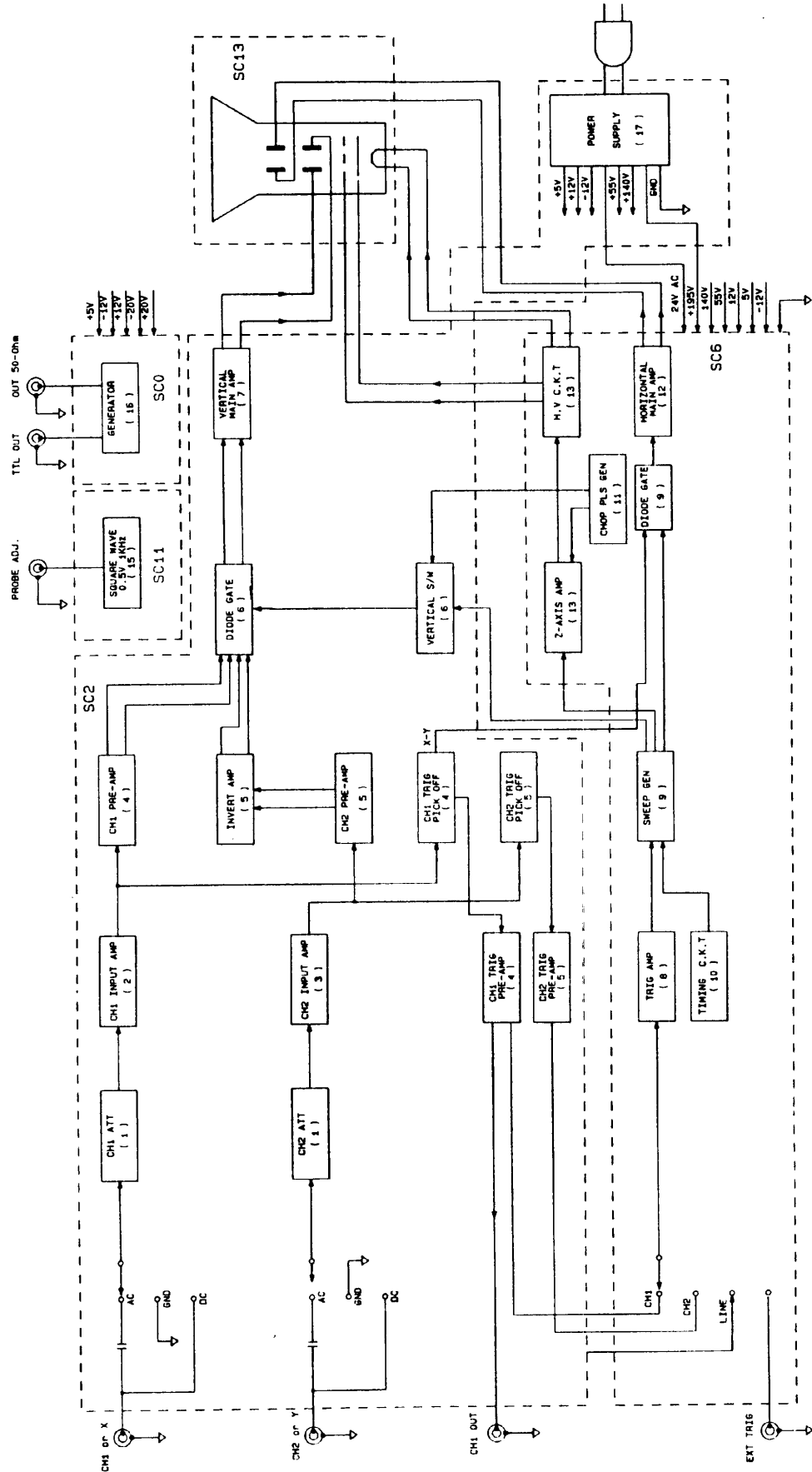
PAGE : 19

NO.	FND NO	DESCRIPTION & SPEC.	P / N	NO.	FND NO	DESCRIPTION & SPEC.	P / N
1		SHOULDER BUSHING	919-003	2		INSULATOR SILICON APEX-AR	919-016
3	F101	FUSE 250V1A , MF51NM TYPE	563-041	4	L101	ROTATION COIL	638-005
5	P101	CONNECTOR, BNC (CH1 OUT)	531-164	6	P102	CONNECTOR, BNC (EXT TRG)	531-164
7	P103	CONNECTOR, BNC (EXT BLANKING)	531-164	8	P104	TERMINAL, PROBE ADJUST	530-010
9	P105	CONNECTOR, BNC (CH1, X)	531-164	10	P106	CONNECTOR, BNC (CH2, Y)	531-164
11	P107	AC INLET, BACI-03 BELTON	535-038	12	P108	TERMINAL, GROUND Z-048	537-018
13	P109	CONNECTOR, BNC (50-OHM OUT)	531-164	14	P1301	CONNECTOR WAFER, LW-0640-04	531-003-7
15	P1302	SOCKET, CRT	535-017	16	R200	RES C. F, 1/4W, 5%, 10	RD0BP100J
17	R300	RES C. F, 1/4W, 5%, 10	RD0BP100J	18	SC0	PCB, FUNCTION GENERATOR BOARD	513-531
19	SC02	PCB, VERTICAL BOARD	513-546	20	SC06	PCB, HORIZONTAL BOARD	513-547
21	SC11	PCB, CRT CONTROL BOARD	513-468	22	SC13	PCB, CRT SOCKET BOARD	513-467
23	T101	POWER TRANSFORMER, OS-9000	622-040	24	V101	CRT, 150BTB31A	631-007-8
25	WH109	WIRING HARNESS, WH109	550-629-A	26	WH109-1	WIRING HARNESS, WH109-1	550-629-B
27	WH115-A	WIRING HARNESS, WH115-A	550-635-A	28	WH115-B	WIRING HARNESS, WH115-B	550-635-B
29	WH115-C	WIRING HARNESS, WH115-C	550-635-C	30	WH124	WIRING HARNESS, WH124	550-643-A
31	WH126	WIRING HARNESS, WH126(LED)	550-645-A	32	WH128	WIRING HARNESS, WH128	550-647-A
33	WH130	WIRING HARNESS, WH130	550-649-A	34	WH130	WIRING HARNESS, WH130	550-649-A
35	WHFG101	WIRING HARNESS, WHFG101	550-718-A	36	WHFG102	WIRING HARNESS, WHFG102	550-719-A
37	WHFG103	WIRING HARNESS, WHFG103 TTL	550-720-A	38	WHFG105	WIRING HARNESS, CH1 OUT	550-722-A
39	Y+Y-	WIRING HARNESS, WH123	550-654-A				

PART-LISTS of MODEL OS-9020G Rev. B // The End

Printed Date : 1993. 3. 5

10. BLOCK DIAGRAM

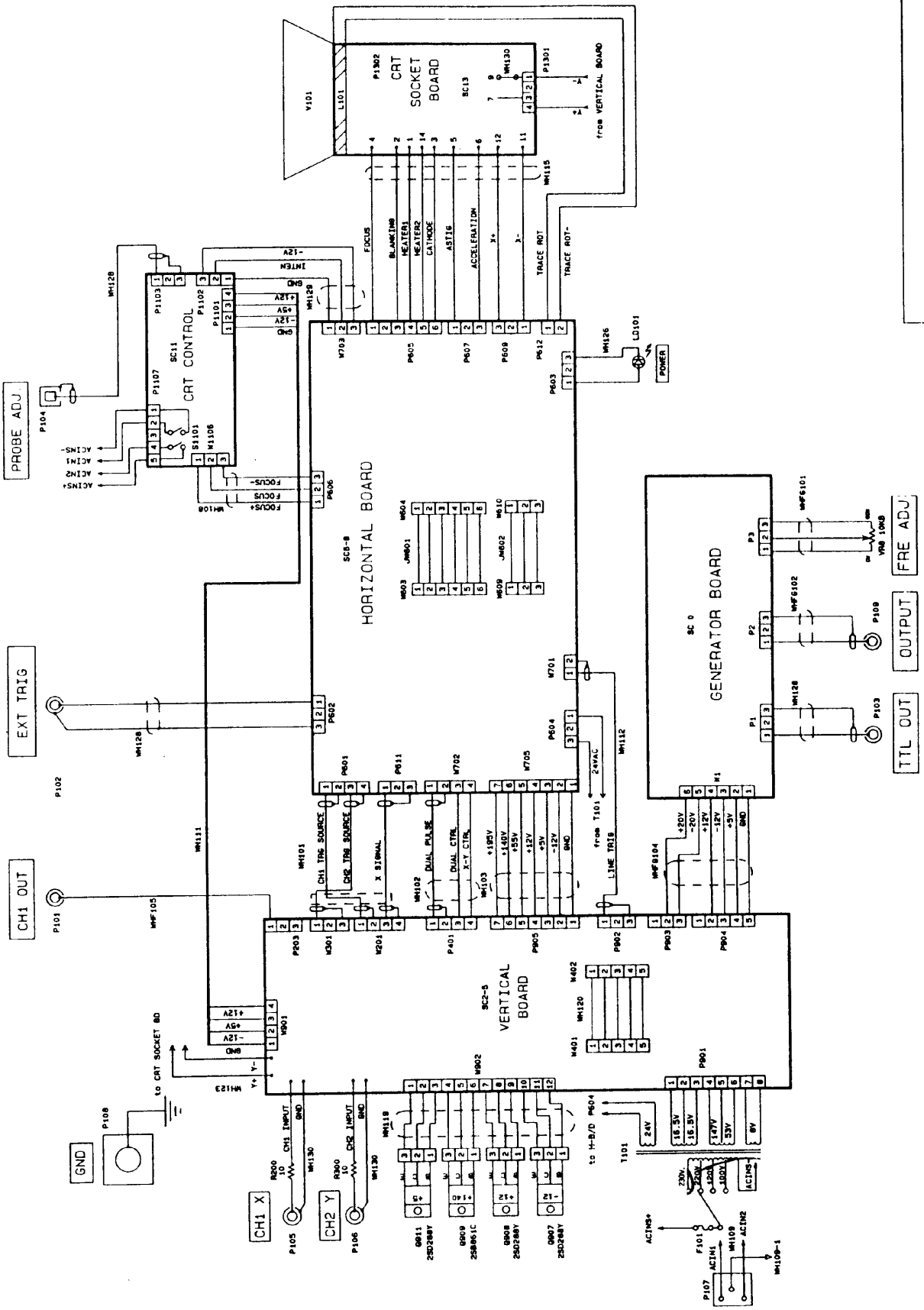


REV. 2.1
1992.7.22

OS-90203

BLOCK DIAGRAM

11. WIRING DIAGRAM

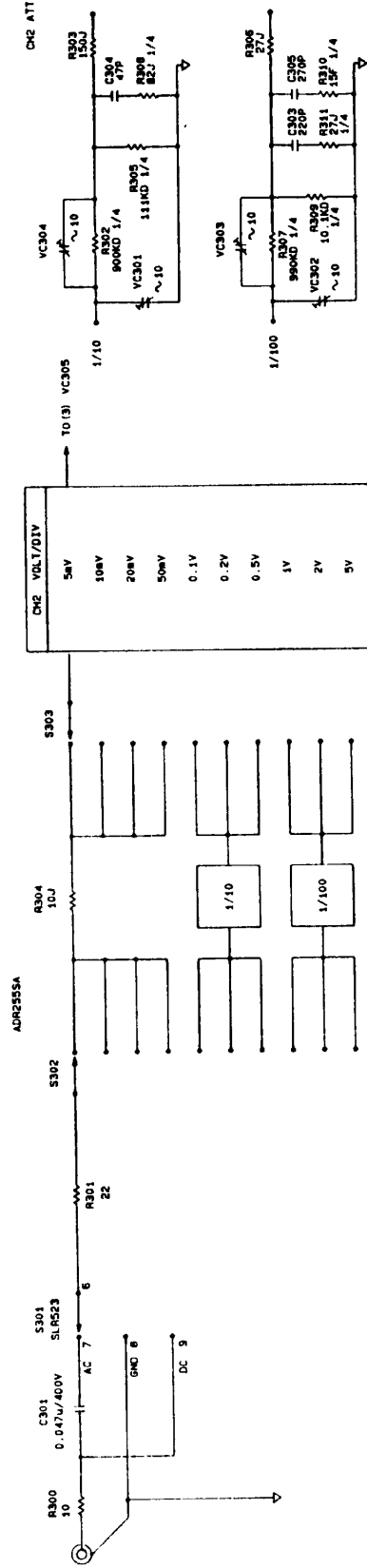
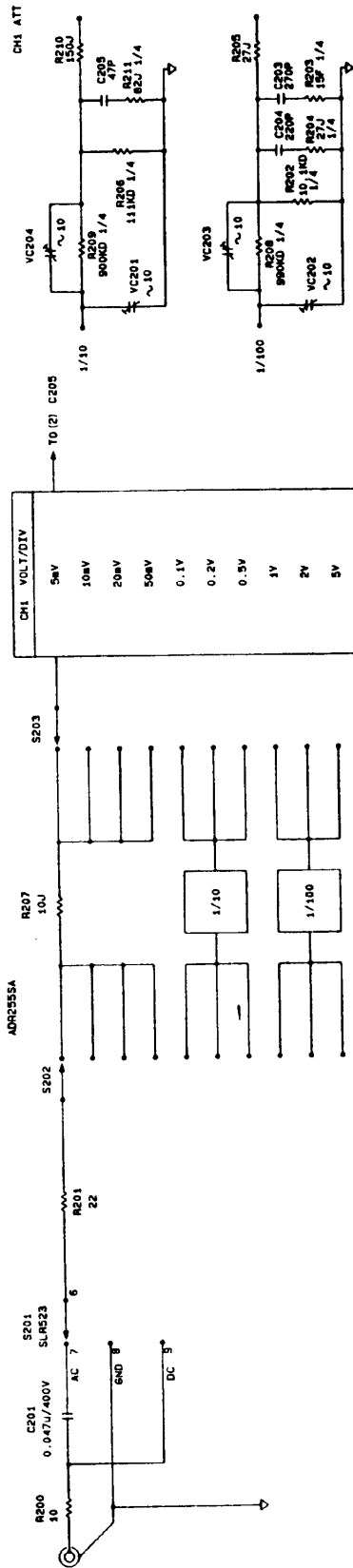


REV. 2.2
1983.3.4

CS-90206

WIRING DIAGRAM (17)

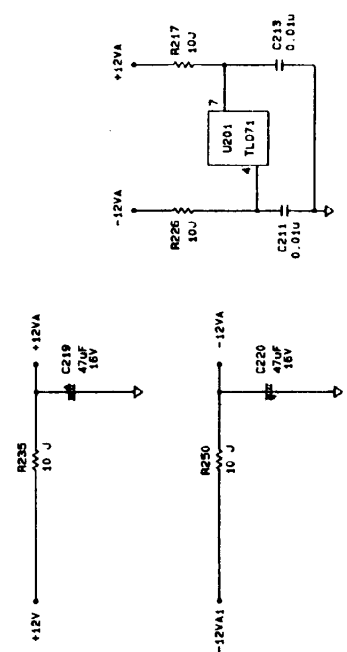
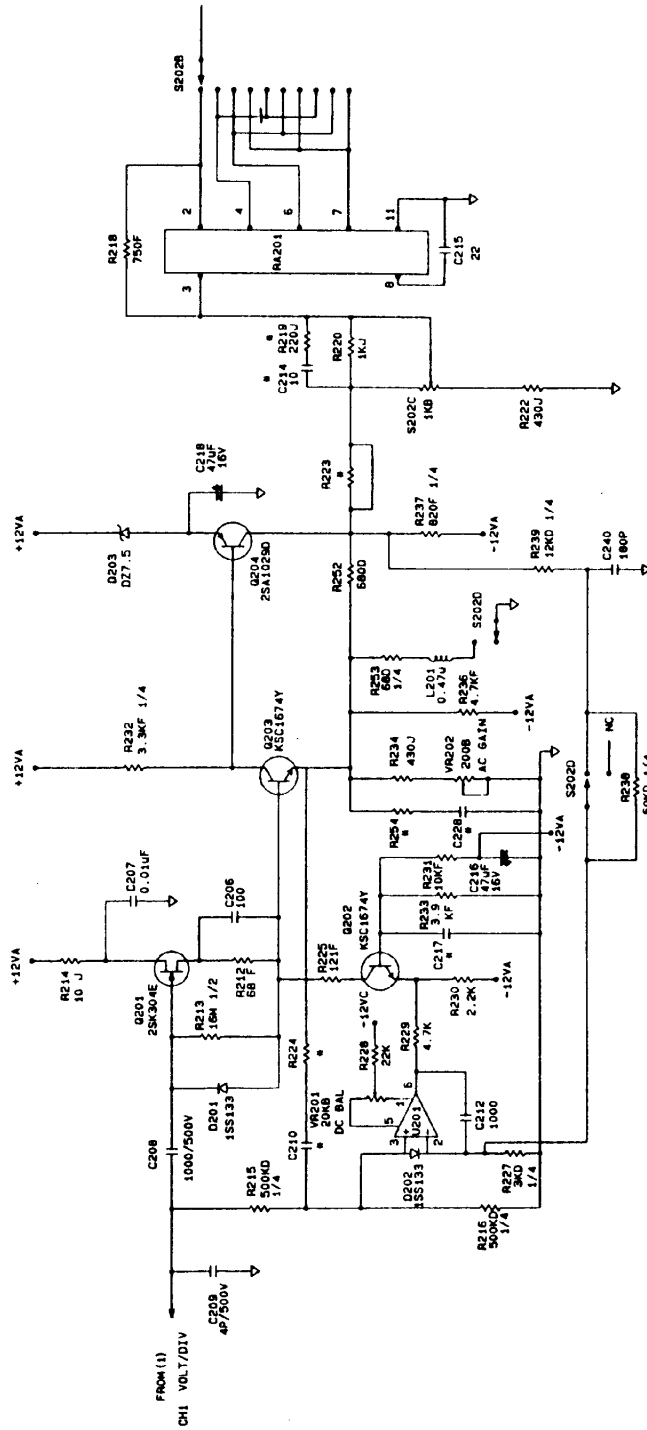
12. SCHEMATIC DIAGRAMS



REV. 2.1
1983.3.3

OS-9020G
ATTENUATOR (1)

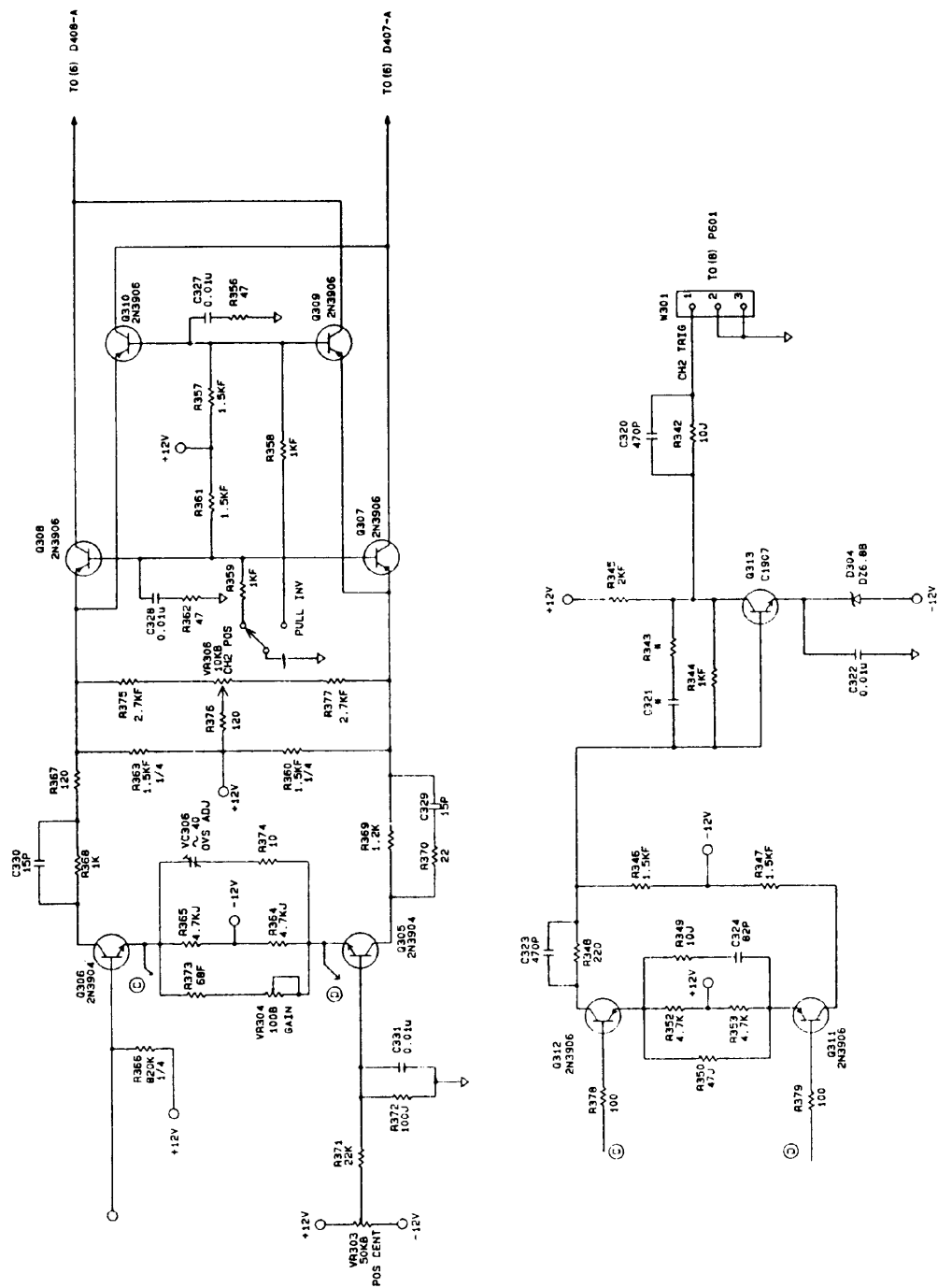
NOTE - R. NOT USED



REV. 2.3
1993.3.4

OS-9020G
CH1 INPUT AMP (2)

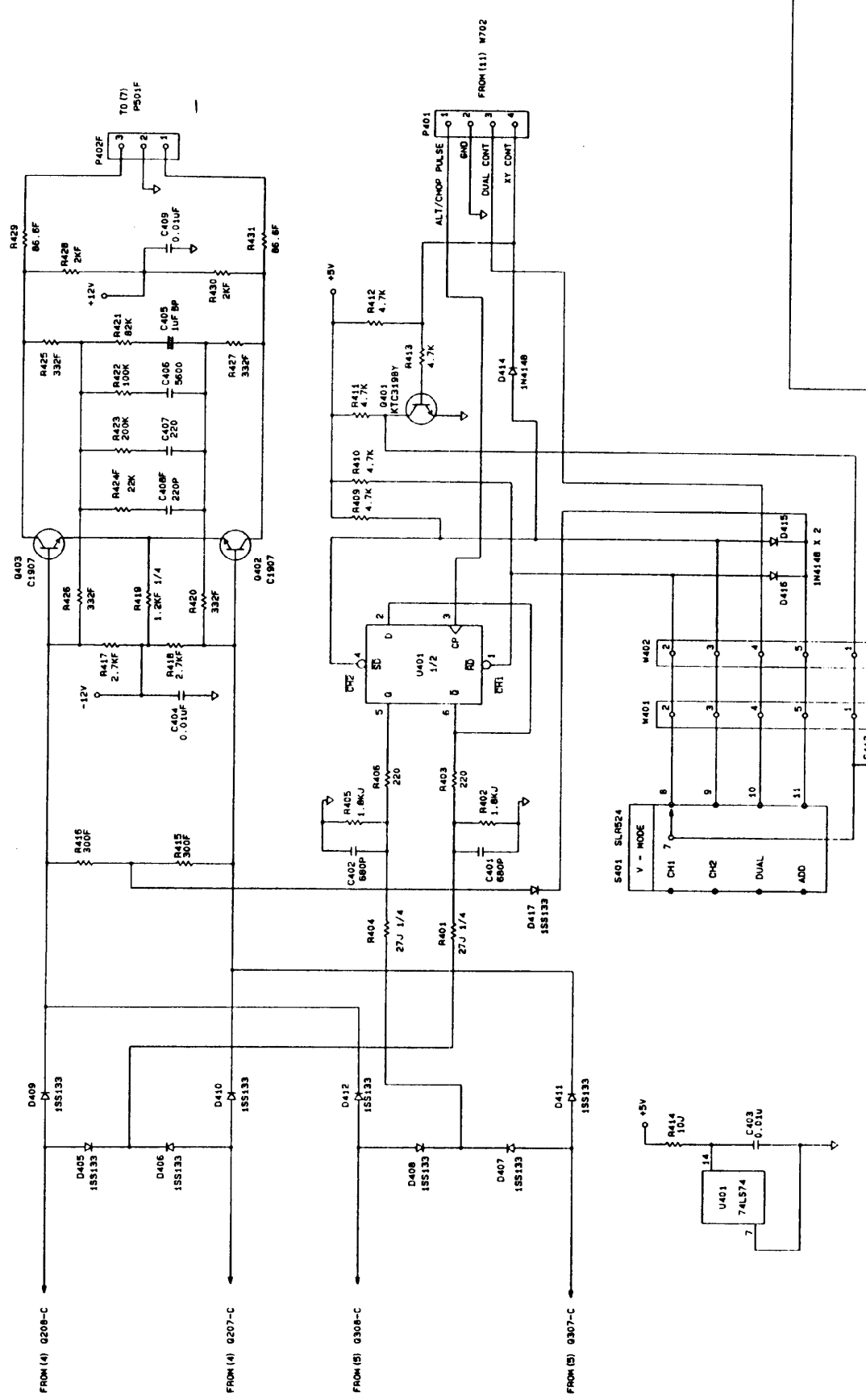
NOTE - #: NOT USED



REV. 2.1
1993.3.3

CS-90206
CH2 PRE AMP &
TRIG PICK OFF (5)

NOTE - W. NOT USED

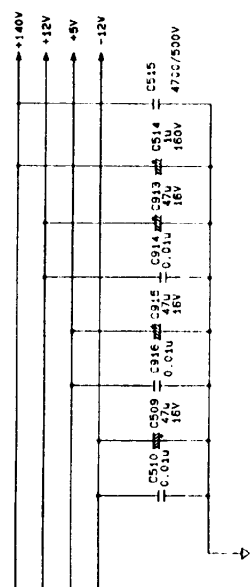
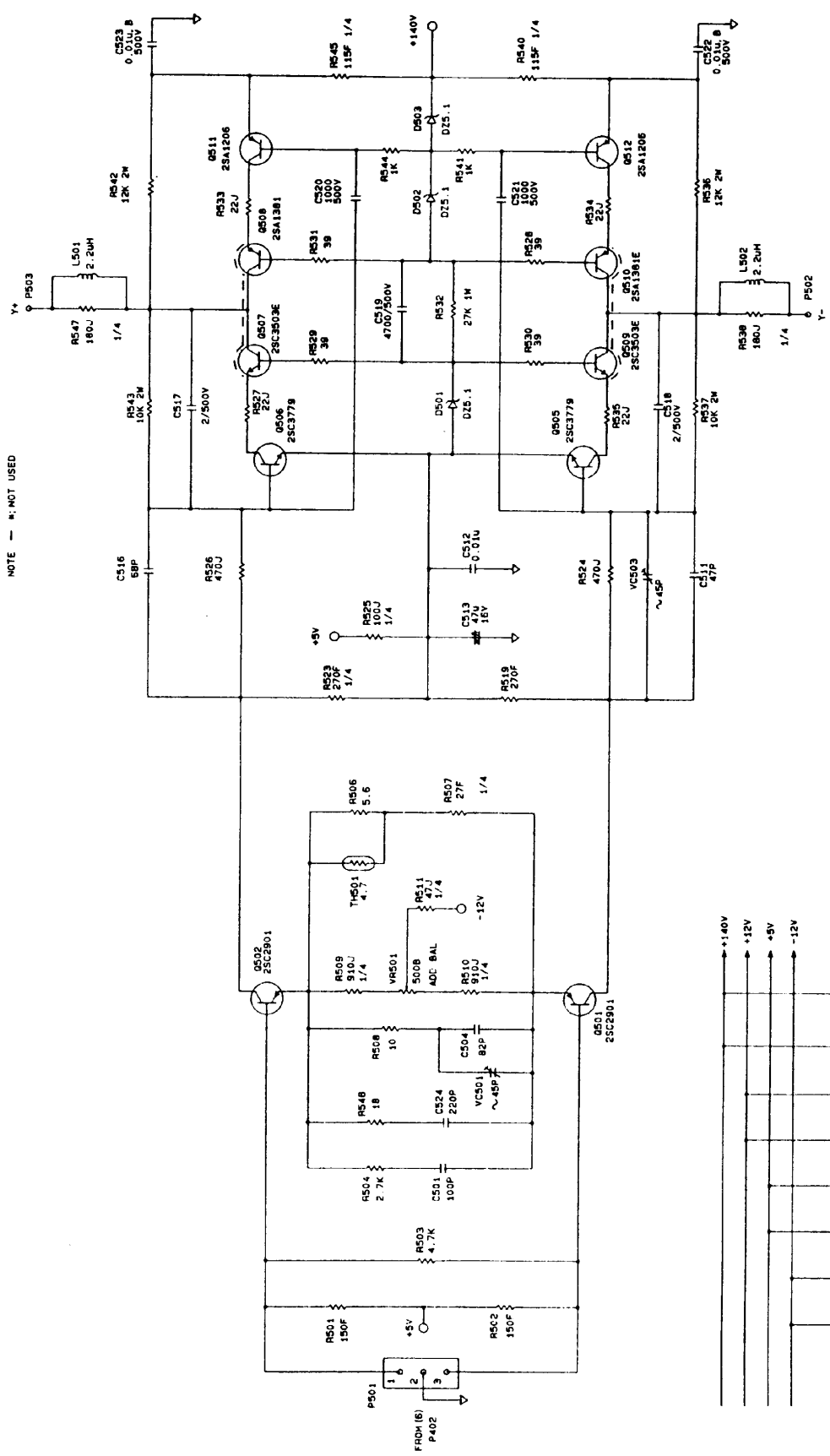


REV. 2.0
1982.03.17

OS-90203

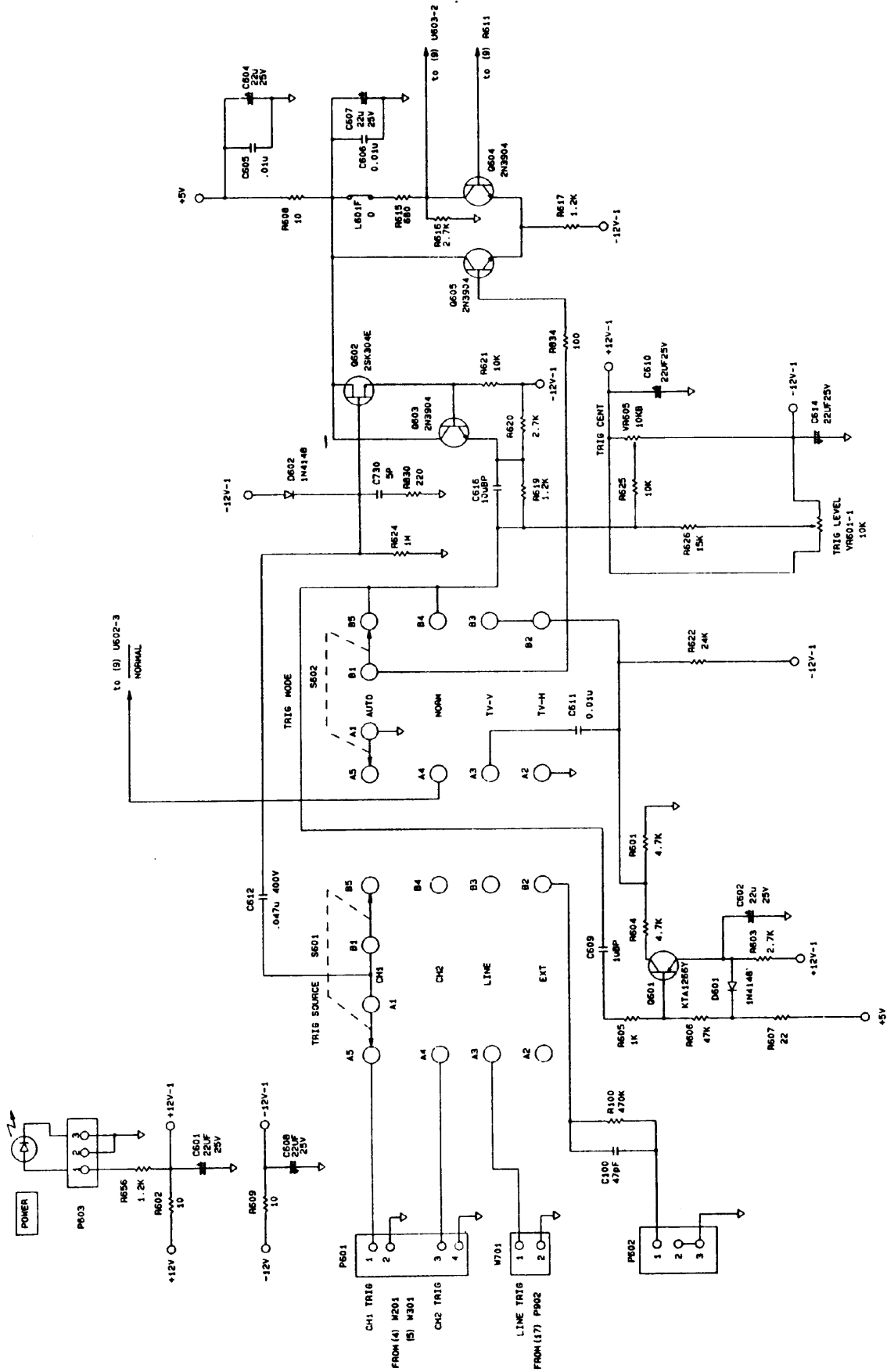
VERTICAL CONTROL (5)

NOTE - R1 NOT USED



REV. 2.1
1993.3.3

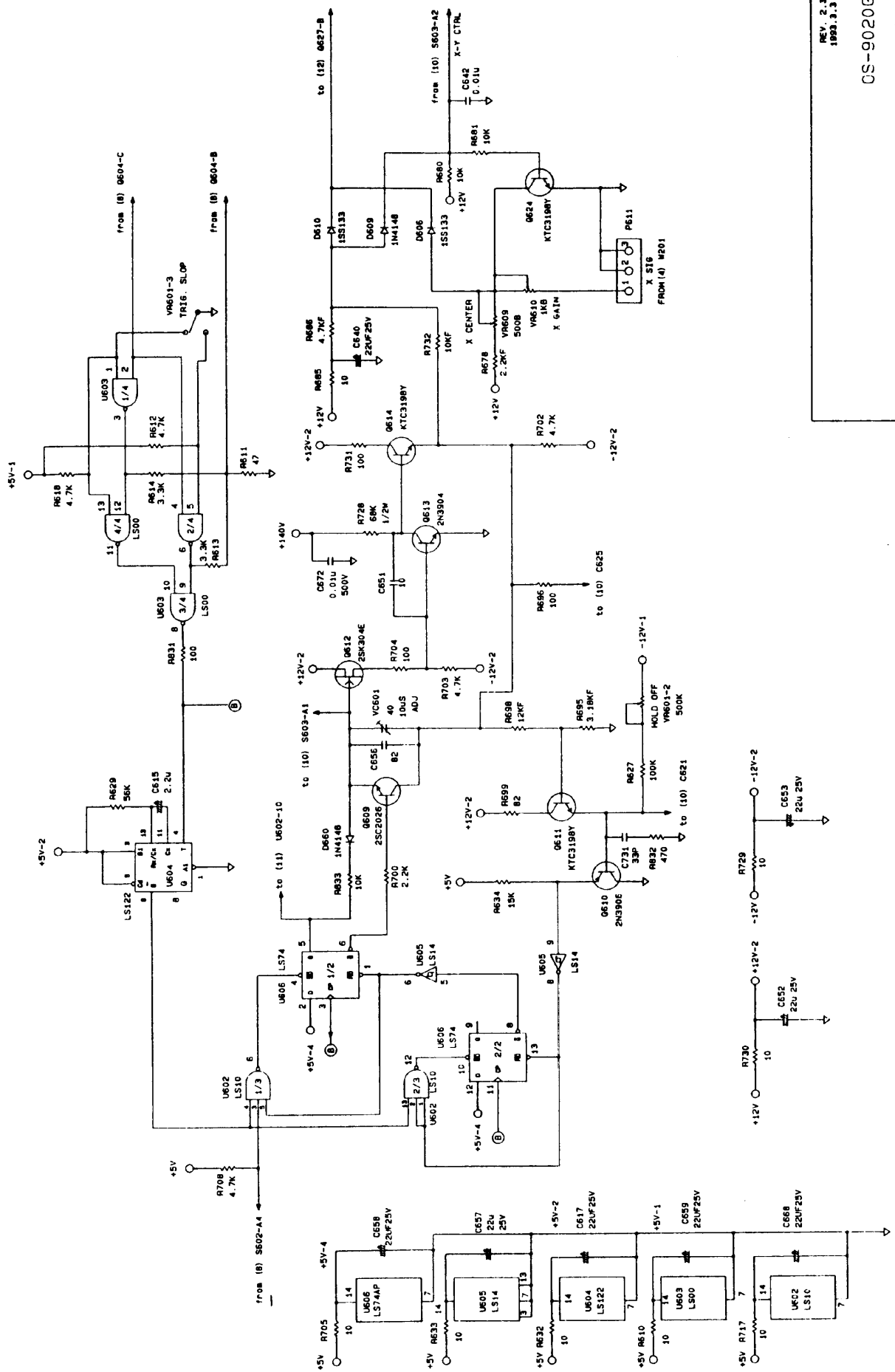
OS-90205
VERTICAL MAINAMP (7)



REV. 2.2
1983.3.3

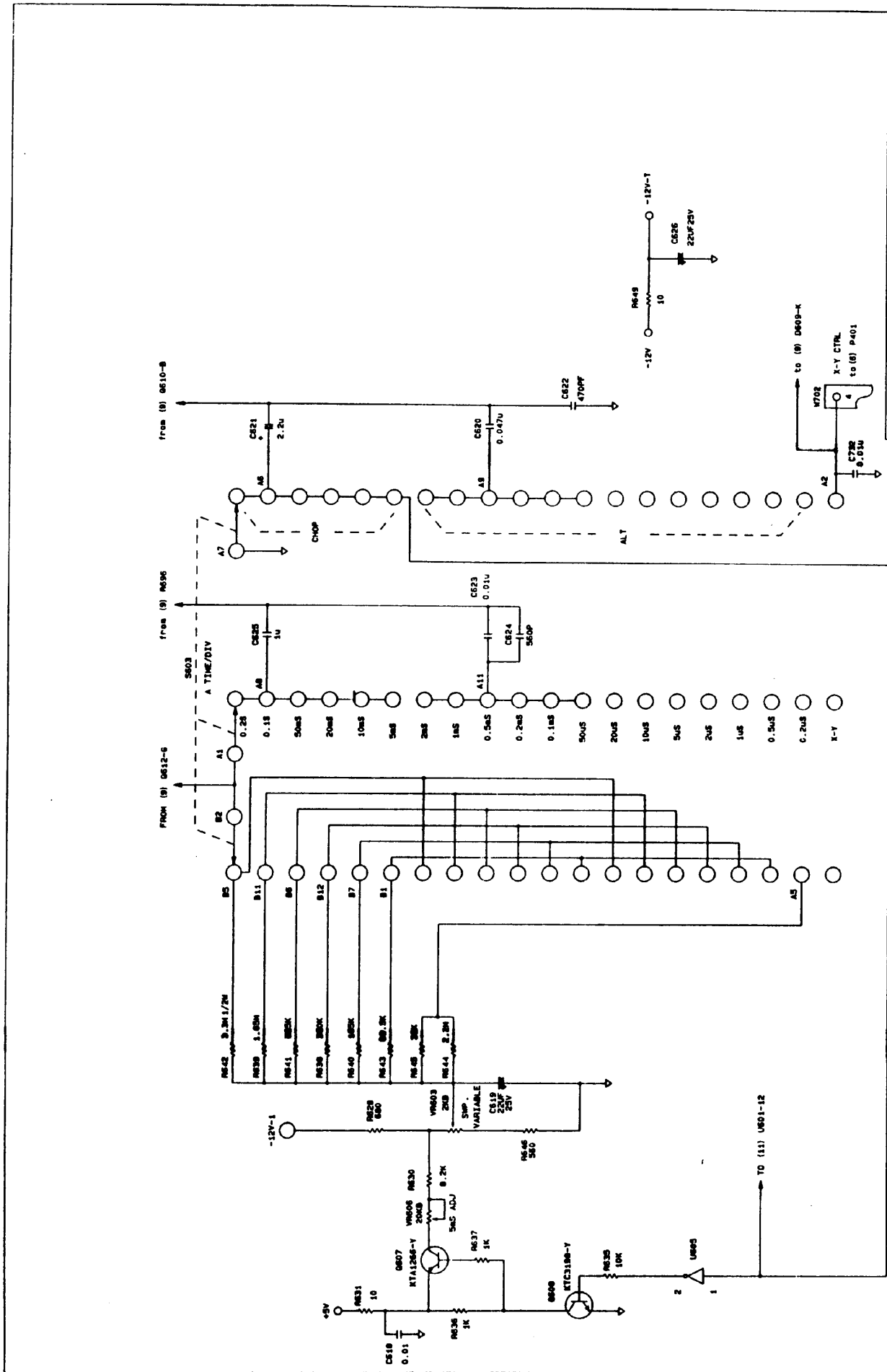
OS-9020G

TRIG. AMP (B)



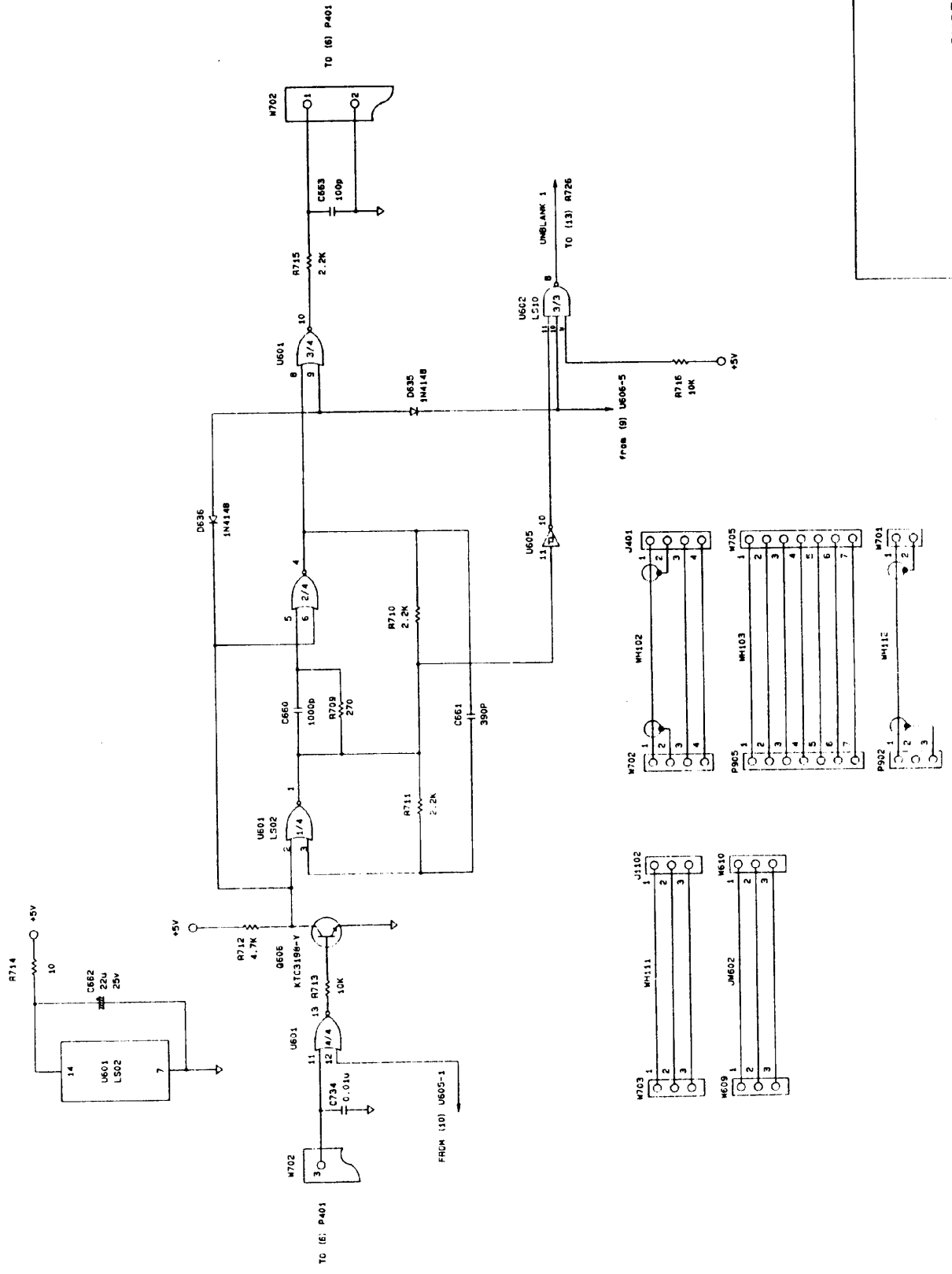
REV. 2.3
1993.3.3

CS-9020G
SWEEP GEN. (9)

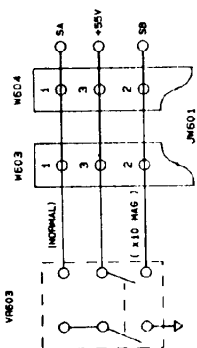
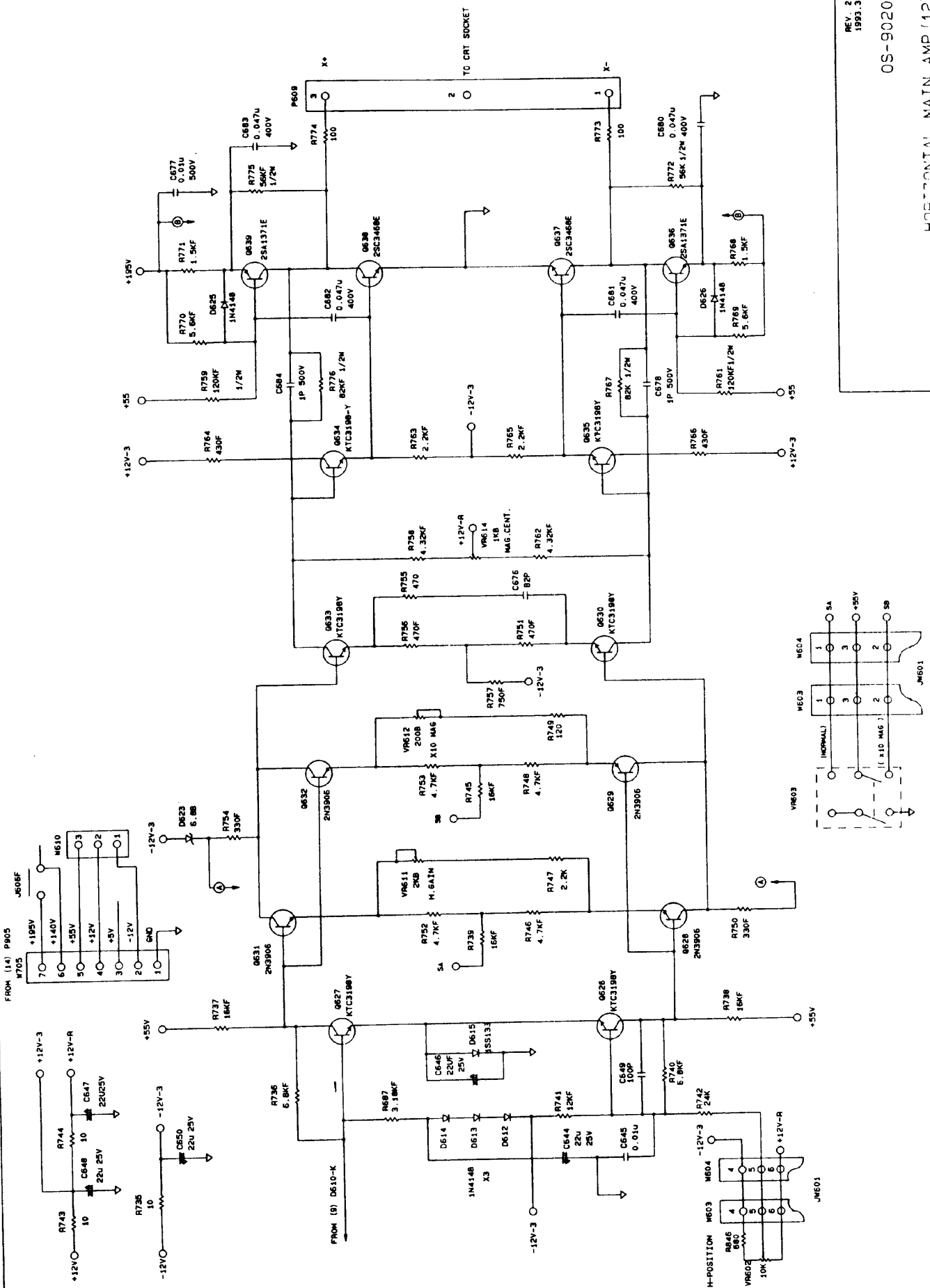


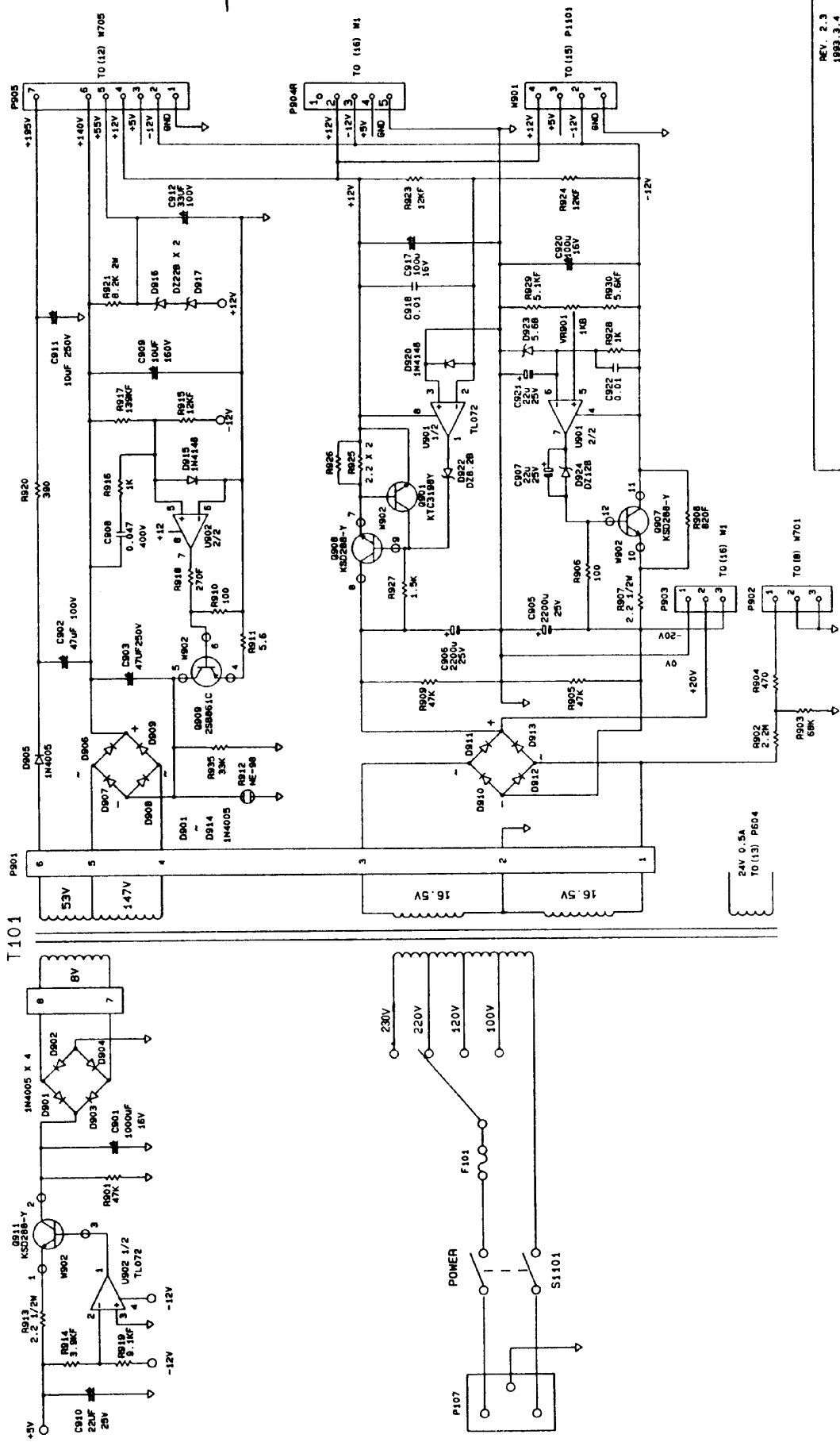
REV. 2.0
1892.6.22

OS-90206
A TIMING C.K.T (10)



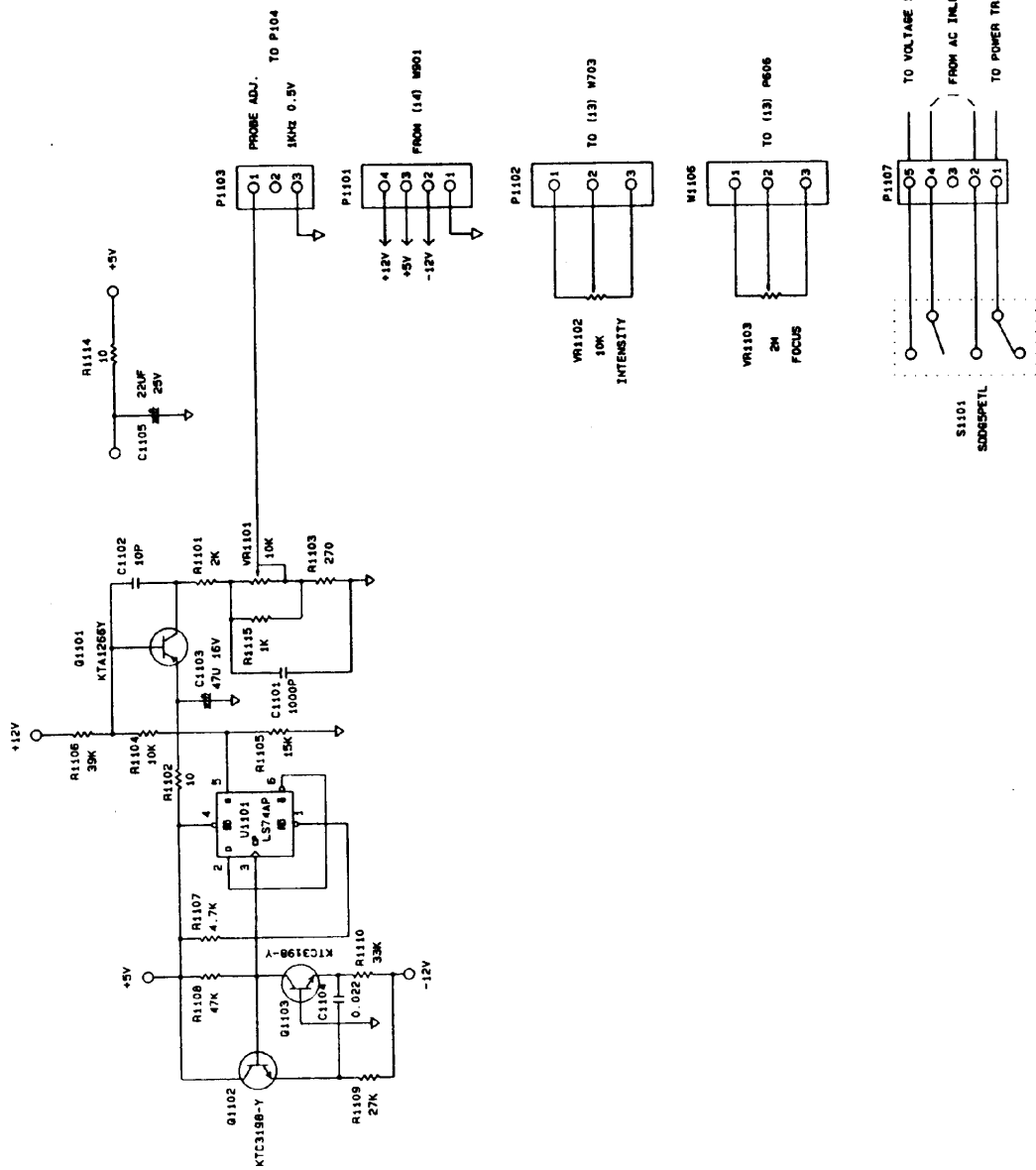
REV. 2.0
1982.03.17
05-90206
CHOP PULSE GEN. (11)





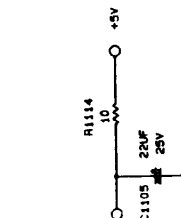
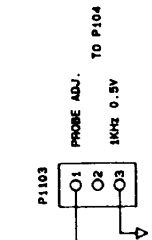
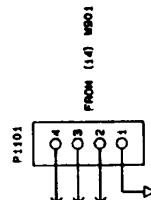
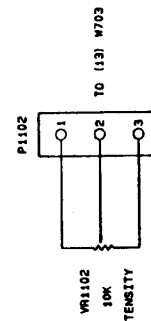
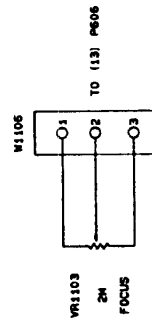
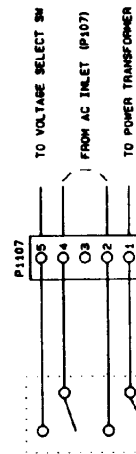
REV. 2.3
1983.3.4

OS-9020G
POWER SUPPLY (14)



POWER

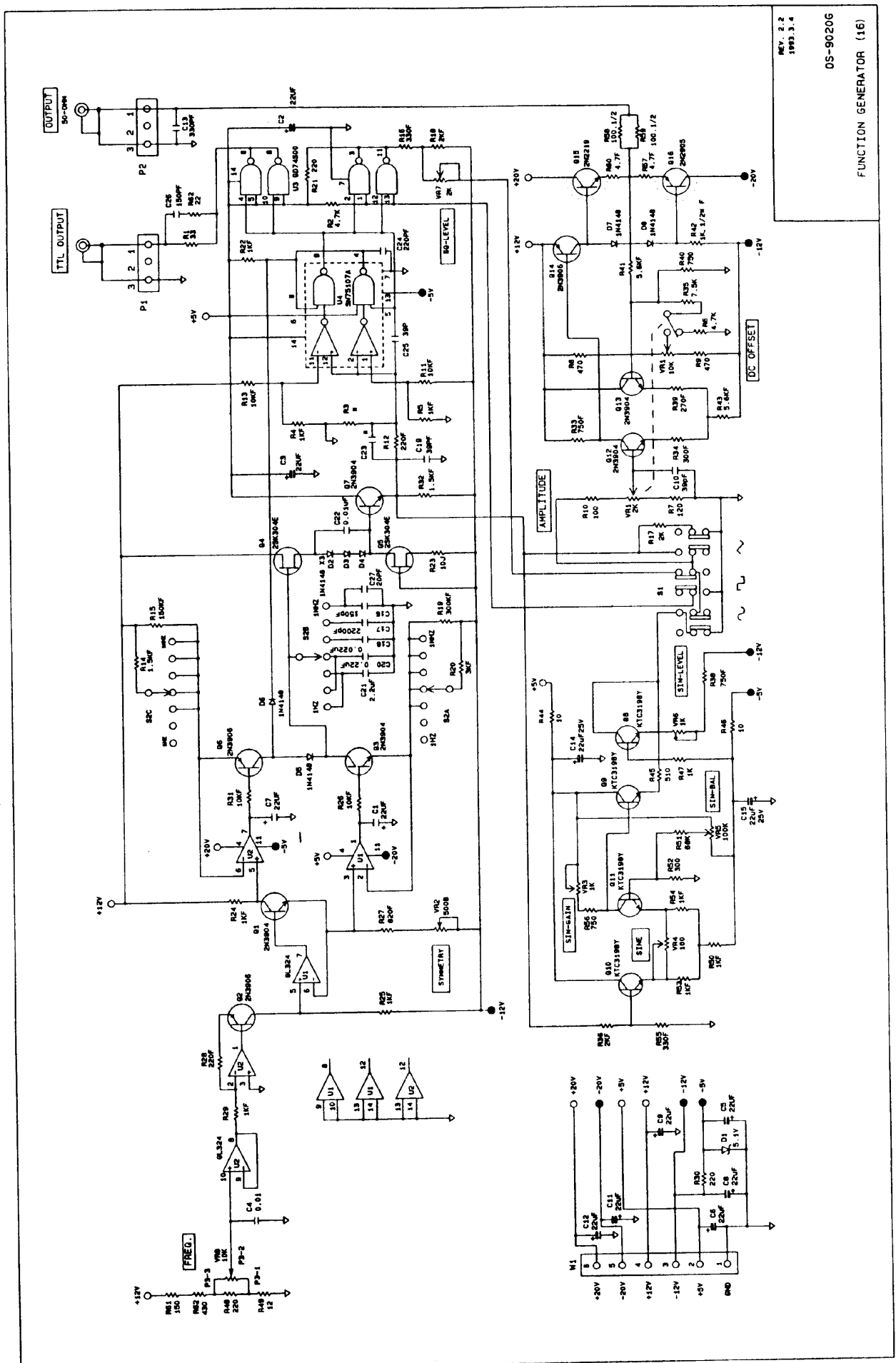
S1101
SUBSPETL



REV. 2, 2
1993.5.4

OS-9020G

CRT CTRL. (15)



REV. 2.2
1993.3.4

DS-90206
FUNCTION GENERATOR (16)

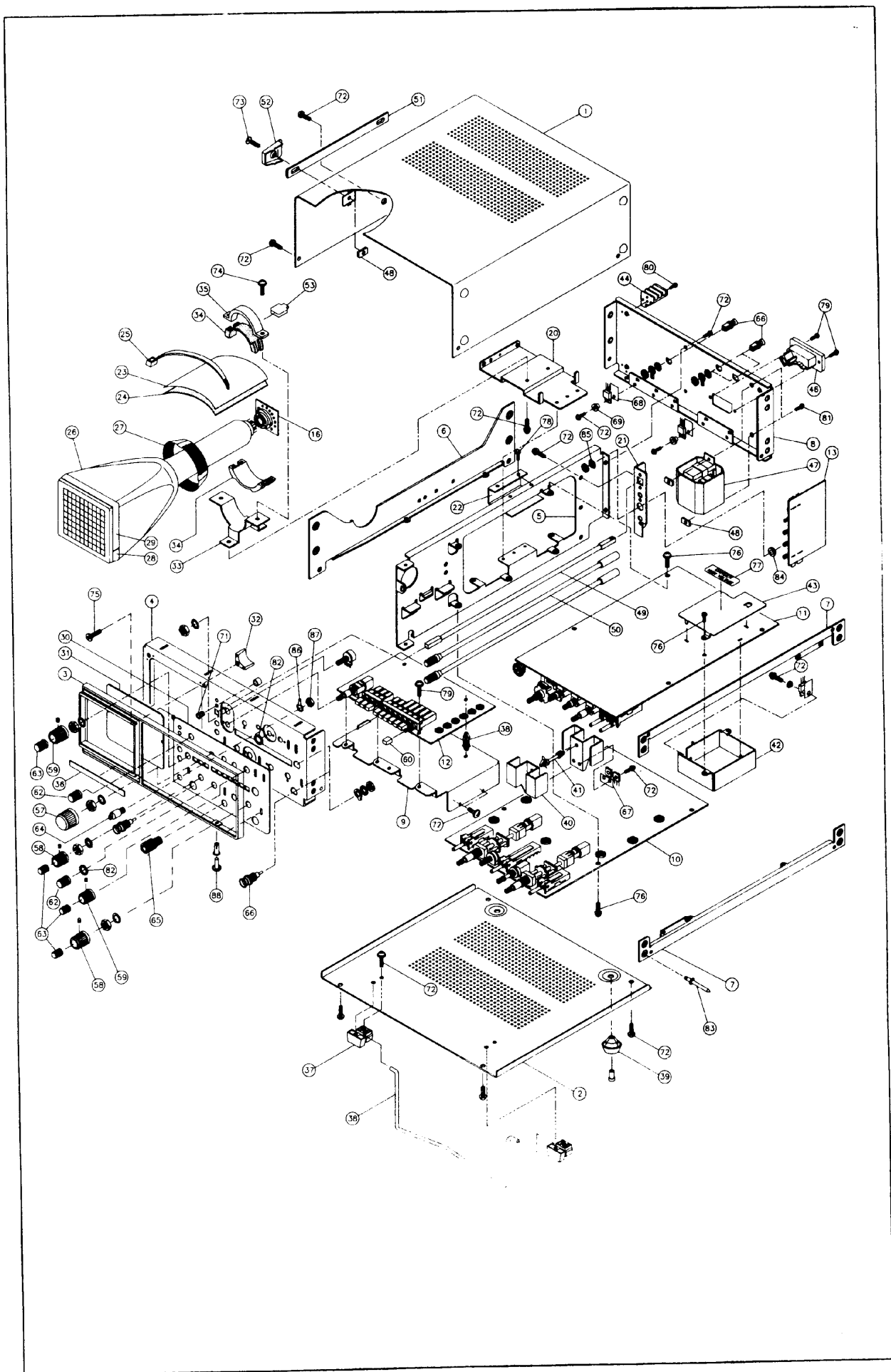
13. MECHANICAL PARTS LIST & EXPLODED VIEW

순번	PART NO	DESC	Q'TY	REMARK
1	219-190	COVER, TOP	1	
2	219-191	COVER, BOTTOM	1	
3	215-134	FRONT CASE	1	
4	242-278	FRONT PLATE	1	
5	227-098	FRAME - MID	1	
6	227-100	FRAME - L	1	
7	227-099	FRAME - R	2	
8	242-275-1R2	REAR PLATE	1	
9	242-279	SHIELD PLATE	1	
10	511-465-F	V-B/D ASS'Y	1	
11	511-466-F	H-B/D ASS'Y	1	
12	511-531-A	F/G B/D ASSY	1	
13	511-468-A	CONTROL B/D ASS'Y	1	
14			1	
15				
16	511-467-A	CRT SOCKET B/D ASSY	1	
17				
18				
19				
20	229-025	CRT BASE	1	
21	235-238	CONTROL BKT	1	
22	242-281	SHIELD PLATE	1	
23	873-023	μ -METAL PLATE	1	
24	358-047	RUBBER, CRT WRAP	1	
25	556-012	TIE WRAP, L=190mm	1	

순번	PART NO	DESC	Q'TY	REMARK
26	631-007-9	CRT, 150BTB31A	1	
27	638-005	ROTATION COIL	1	
28				
29				
30	247-145	FRONT PANEL	1	
31	587-043-2	FILTER, GRAY	1	
32	265-015	CRT MTG BLOCK	4	
33	235-119	CRT BAND (1)	1	
34	358-030-1	RUBBER, CRT BAND	2	
35	235-020	CRT BAND (2)	1	
36	277-675-7	LABEL, GOLD STAR	1	
37	358-026-1	STAND STOPPER	2	
38	818-001	STAND BAR	1	
39	397-002-1	DOWN FOOT	2	
40	566-461	HEAT SINK	2	
41	239-032-7	NYLON SUPPORT L=22.0	1	
42	219-192	H/V COVER	1	
43	242-273	H/V PLATE	1	
44	397-001-1	REAR FOOT	4	
45	239-032-1	NYLON SUPPORT L=5.0	2	
46	535-038	POWER INLET	1	
47	622-040	TRANSFORMER	1	
48	317-049	REINFORCED NUT	4	
49	369-038-1	KNOB POWER S/W	1	
50	369-107	KNOB EXTENTION ROD	2	

순번	PART NO	DESC	Q'TY	REMARK
51	367-427-1	HANDLE, EPDM	1	
52	367-427-2	HANDLE COVER	2	
53	399-006	EARTH STRIP	1	
54				
55				
56				
57	369-103	KNOB 5, AT/D	1	
58	369-102	KNOB 4, V/D	2	
59	369-104	KNOB 6, L/H	2	
60	369-055-1	KNOB PUSH	10	
61				
62	369-100	KNOB2	5	
63	369-101	KNOB3	4	
64	539-010	TERMITAL CAL OUT	1	
65	537-018	TRRMITAL Z-048	1	
66	531-164	BNC CONNECTOR	6	
67	919-023	INSULATOR SILICON	2	
68	919-016	INSULATOR SILICON	5	
69	919-003	SHOULDER BUSHING	5	
70				
71	588-025	LAMP HOLDER	1	
72	MBC03-06J	BIND HEAD SCREW	32	
73	MCC04-12U	C'SK HEAD SCREW	2	
74	MPC03A16J	ASSEMBLED SCREW	2	
75	MCC03-12U	C'SK HEAD SCREW	4	

순번	PART NO	DESC	Q'TY	REMARK
76	MPC03A08J	ASSEMBLED SCREW	10	
77	277-001	LABEL, DANGER H. V	1	
78	MCT03-06J	C'SK HEAD TAPTITE	2	
79	MBT03-06C	TAPTITE SCREW	5	
80	MPC04A12J	ASSEMBLED SCREW	4	
81	MBC04-08J	BIND HEAD SCREW	3	
82	313-009-1	RING NUT M7	2	
83	319-001-1	BLIND RIVET	19	
84	919-008-1	INSULATOR (1)	1	
85	919-008-2	INSULATOR (2)	1	
86	537-041	GROUND LUG, M6	1	
87	NHC06-00J	HEXAGON NUT	1	
88	319-007	SNAP RIVET	2	
89				
90				
91				
92				
93				
94				
95				
96				



GoldStar



LG Precision Co., Ltd.

Kookmin Life Insurance B/D 168
Kongdok-dong, Mapo-gu, Seoul 120-020 Korea
Tel : (02) 3773-1114 Fax : (02) 3271-5454

LG Precision

13013 East 166th Street Cerritos, Ca. 90701-2226, U.S.A.
Tel : (213) 404-0101
Fax : (213) 921-6227
Tlx : 910-583-5719 LGILA