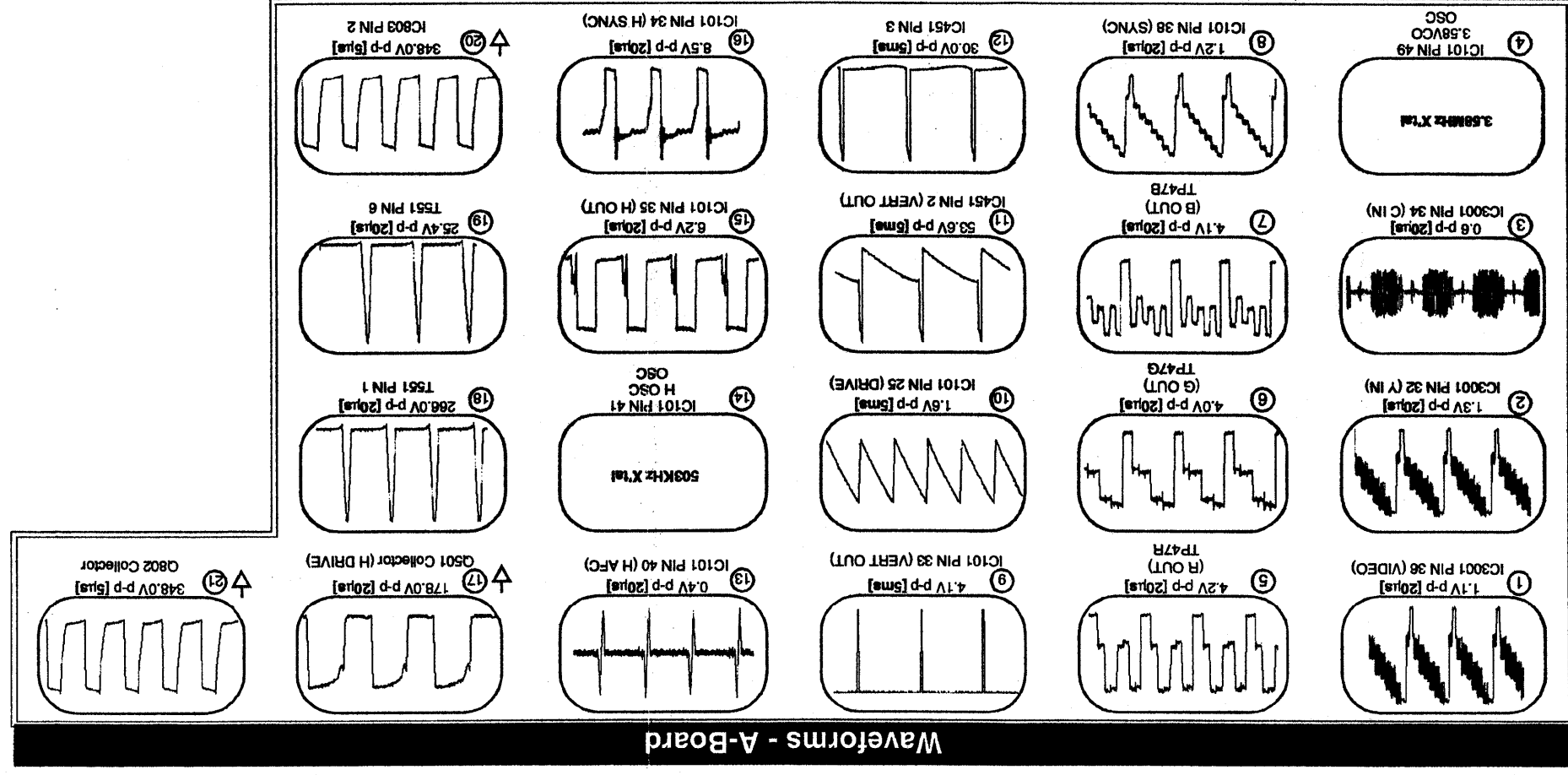


A-board Layout - TNP2AH017



**Waveform Measurements**

- Indicates waveform measurement. (Measurement can be taken at the most accessible location in common to the probed points.)
- Take with an NTSC signal generator connected to the antenna terminal. (NTSC color bar pattern of 8 bars of EIA color, 100 HFE, white and 7.5 HFE black.)
- Customer Control (Picture/Volume) are set to Normal. Volume Menu) are set to "MIN".

**IMPORTANT SAFETY NOTICE**

THIS SCHEMATIC DIAGRAM INCORPORATES SPECIAL FEATURES THAT ARE IMPORTANT FOR PROTECTION FROM X-RADIATION. THESE ARE ESSENTIAL. ONLY MANUFACTURERS SPECIFIED PARTS BE USED FOR THE CRITICAL COMPONENTS DESIGNATED WITH A Δ IN THE SCHEMATIC.

**Voltage Measurements**

- AC input to the Receiver is 120V, NTSC (60, 1125 & 525P when applicable) signal generator is connected to the antenna of the Receiver. (Color bar pattern of 8 bars of EIA color, 100 HFE, white and 7.5 HFE black.)
- Ground symbol Δ indicates ground lead connection of meter. All picture and audio splitters are set to Normal. TV ANTENNA - (J4) (Lp Menu) in TV/AVT Mode. Volume - (V) (Volume SW - TV position) in TV/AVT Mode. CAUTION: Incorrect ground connection of the test equipment will result in erroneous readings.

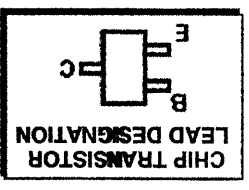
**Schematic Notes**

- Resistors are shown 1/4W unless noted otherwise.
- Capacitors are ceramic 50V unless noted otherwise.
- Col value names is indicated in left side of the parting and are subject to change without notice.
- Test point indicated by Δ test point but no pin.
- Components indicated with Δ are critical parts and replacement should be made with manufacturer specified replacement parts only.

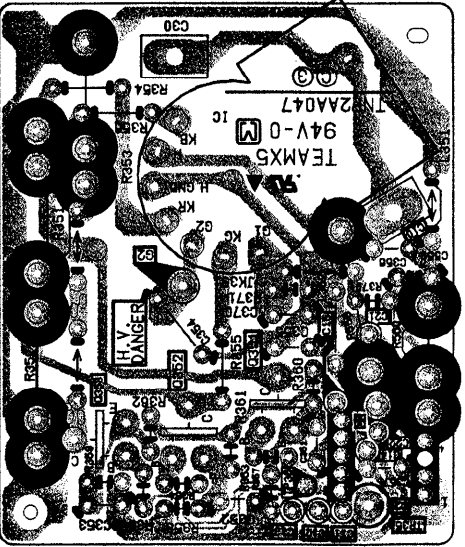
NOTE: All other component symbols are used for engineering design purposes.

**Notes:**

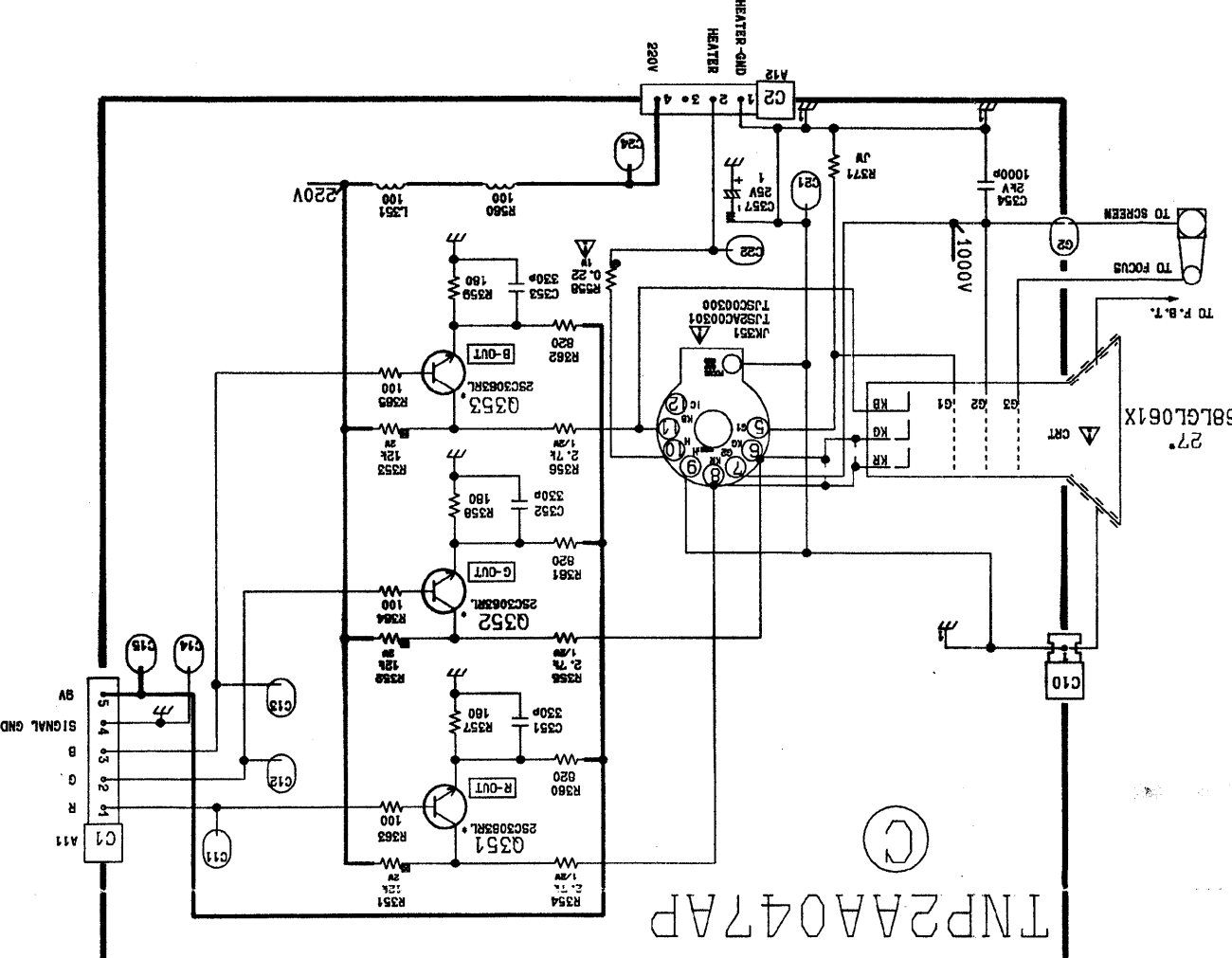
The above boards have been modified to enhance and display traces otherwise hidden by a mask. Check Parts List for most recent component values and part numbers. Obtain voltages with a digital multimeter.



C-board Layout - TNP2AA047



C-board Schematic



C-board Voltage Measurements (Transistors)

| Q353   | Q352   | Q351   | B      | C      | E      |
|--------|--------|--------|--------|--------|--------|
| 2.64   | 2.64   | 2.67   | 2.47   | 2.47   | 2.45   |
| 169.90 | 172.00 | 171.20 | 171.20 | 171.20 | 171.20 |

MTNC000417C1

A | B | C | D | E | F | G | H

1 | 2 | 3 | 4 | 5